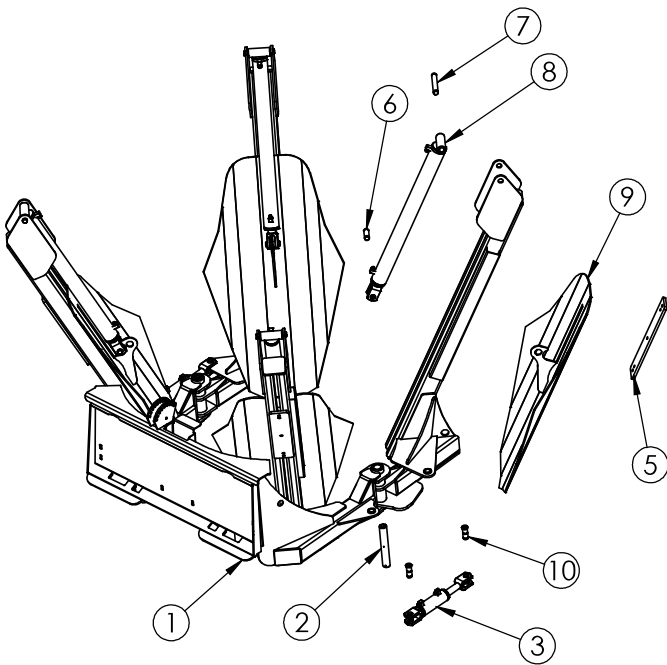


ITEM NO.	PART NUMBER	DESCRIPTION	QTY.
1	Attachment Assembly	1
2	P2006	Swing Pin 1.5x9.38	2
3	T1000	Cylinder, 2 x 13 x 16.38	2
4	Spade Assembly	4
5	T2089	Spade Skid Plate	1
6	P2023	1x2.25 Snap Ring Pin	1
7	P2024	1x5.625 Snap Ring Pin	1
8	T1001	Cylinder 2.5 x 39.63 x 70.63	1
9	T2015	Blade Assembly	1
10	P2022	1 x 2.25" Swing snap ring pin, greaseable	4



Description 440 Tree Spade

Weight lbs.

DATE 25-11-2020

DWG. NO. 440-D03-R1

REV R1

DO NOT SCALE DRAWING

SCALE: 1:30

SHEET 1 OF 1

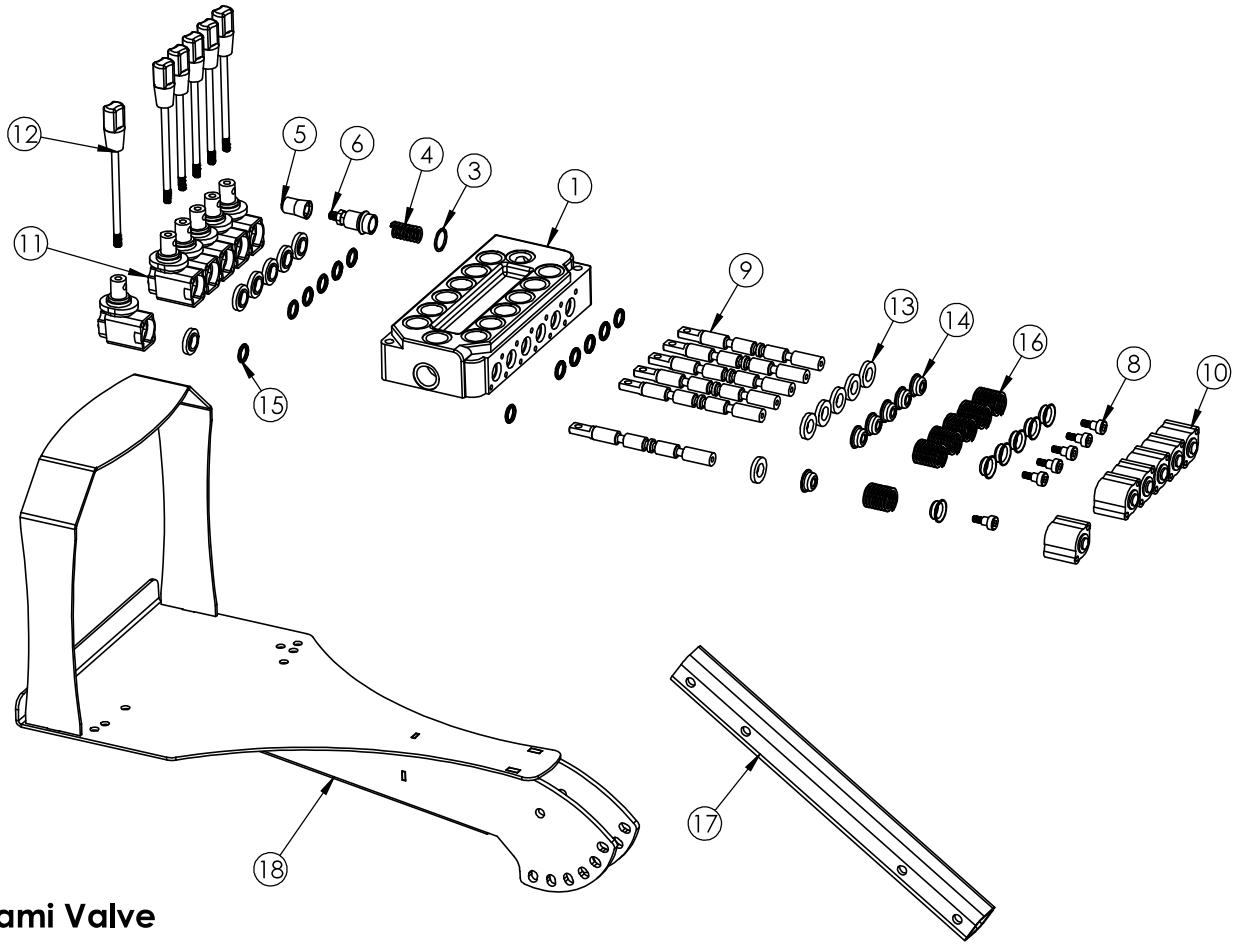
5

4

3

2

1



Salami Valve



Description

6 Lever Valve

Weight
lbs.

DATE

25-11-2020

DWG. NO.

H2094-D03-R1

REV
R1

DO NOT SCALE DRAWING

SCALE: 1:6

SHEET 1 OF 2

5

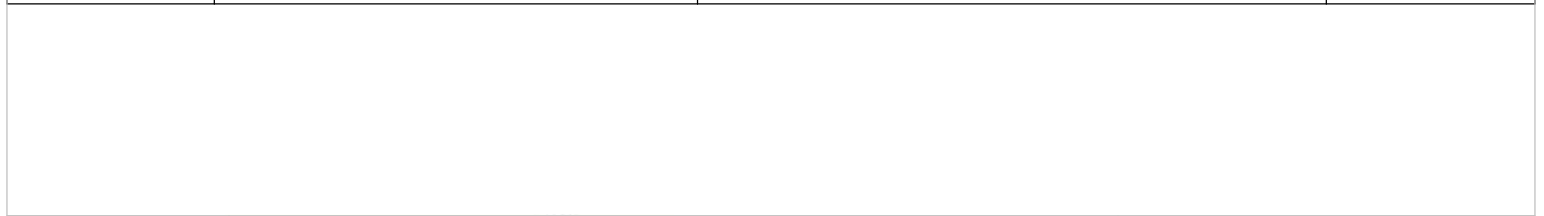
4


3

2

1

ITEM NO.	PART NUMBER	DESCRIPTION	QTY.
1	H2083	6 Lever Valve	1
2	Release Valve	Sub Components	1
3	H2086	Relief Valve Washer	1
4	H2085	Relief Valve Spring	1
5	H2090	Plastic Valve Cover	1
6	H2087	System Relief Valve	1
7	Sub Valve Parts	Small Part	6
8	F2004	Plunger Bolt	1
9	H2076	Plunger	1
10	H2074	Plunger Cover	1
11	H2073	Pivot Block	1
12	H2089	Pivot Arm	1
13	H2075	Plunger Washer	2
14	H2077	Spring Sleeve	2
15	H2084	Plunger Seal	2
16	H2088	Plunger Spring	1
17	T2002	Bottom Valve Arm	1
18	D001601	Manual control arm assembly	1



	Description		6 Lever Valve	
	Weight lbs.	DATE	25-11-2020	
DO NOT SCALE DRAWING	SCALE: 1:6	SHEET 2 OF 2	DWG. NO.	REV
			H2094-D03-R1	R1

5

4

3

2

1