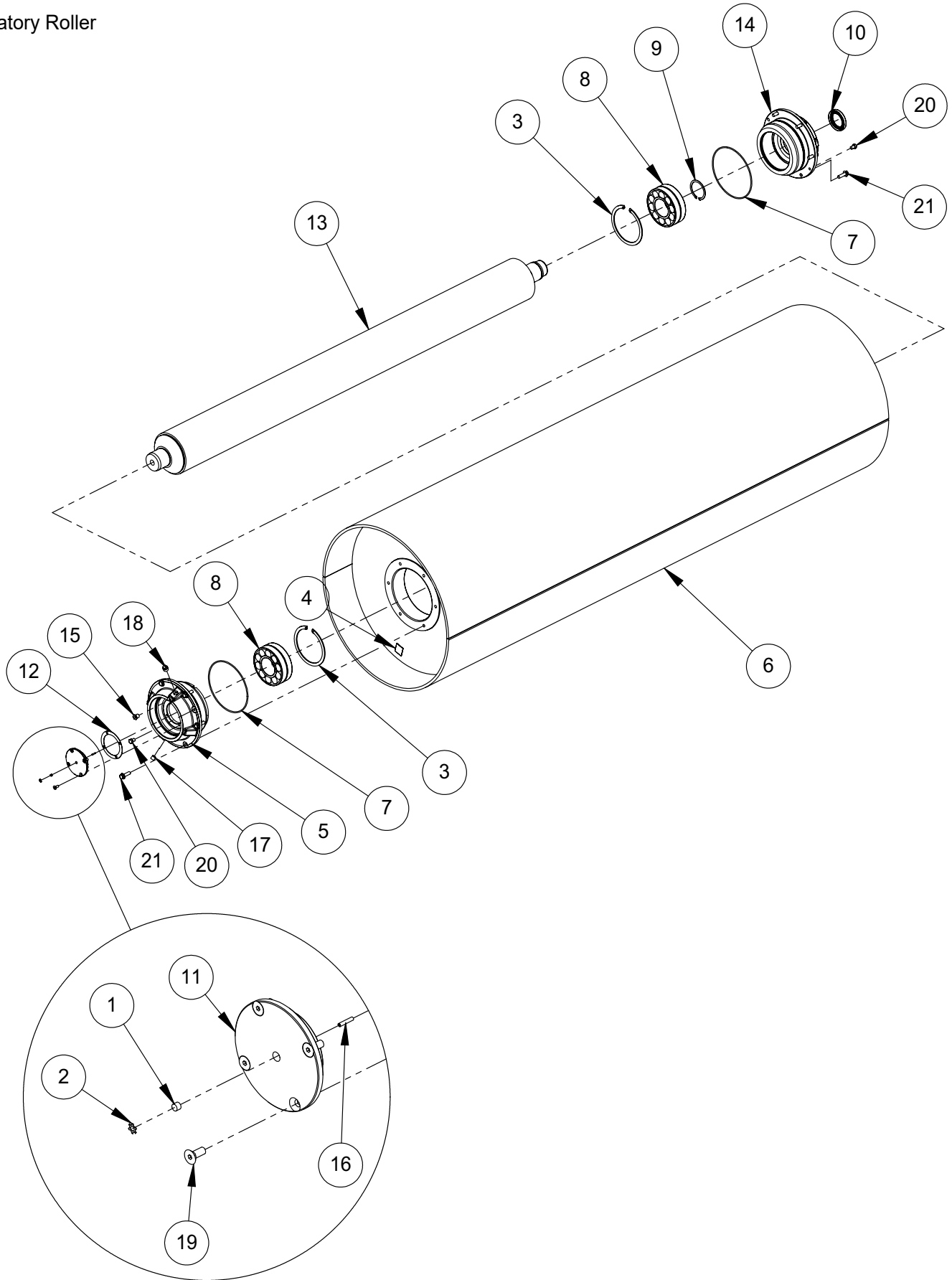
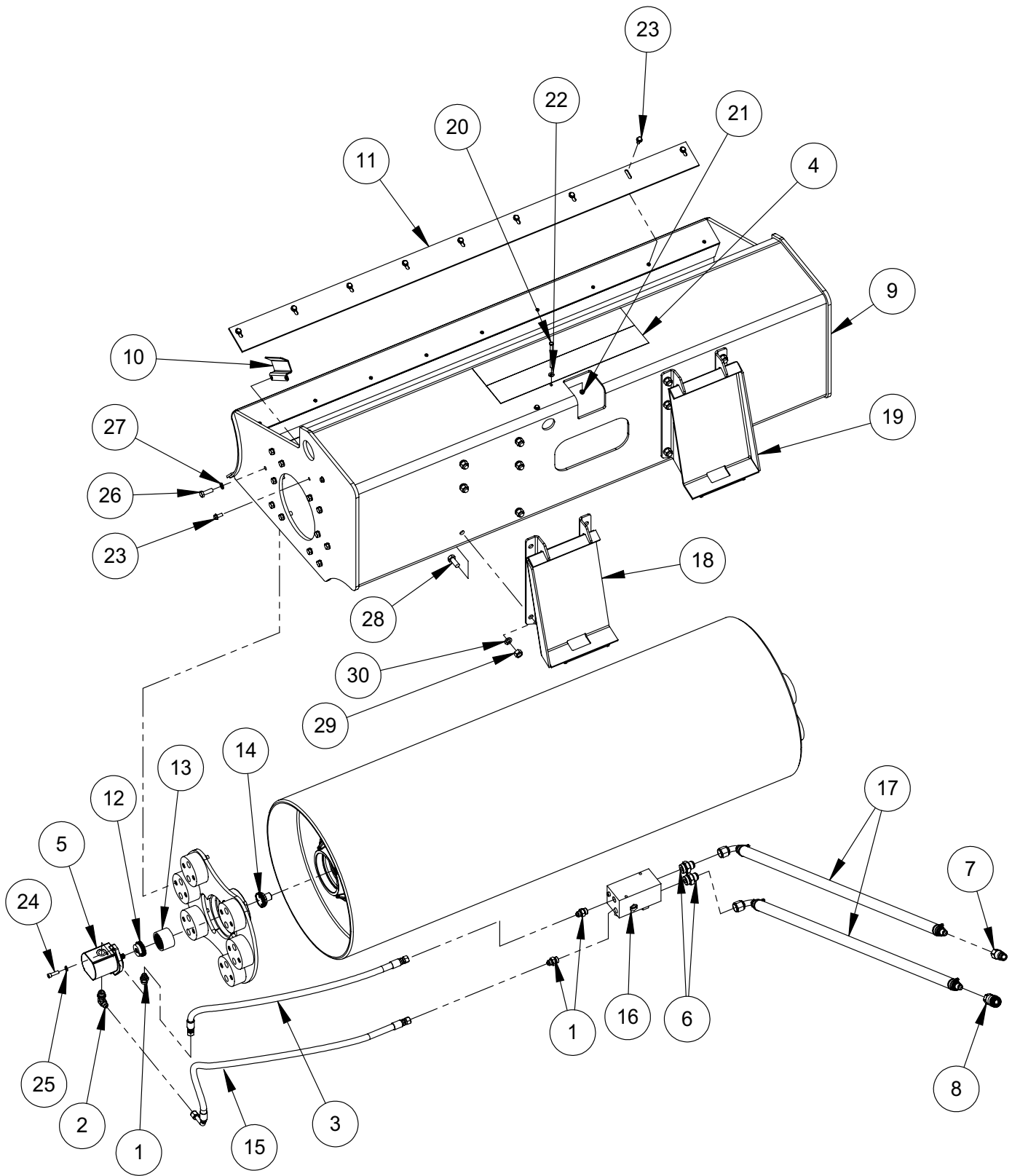


Vibratory Roller



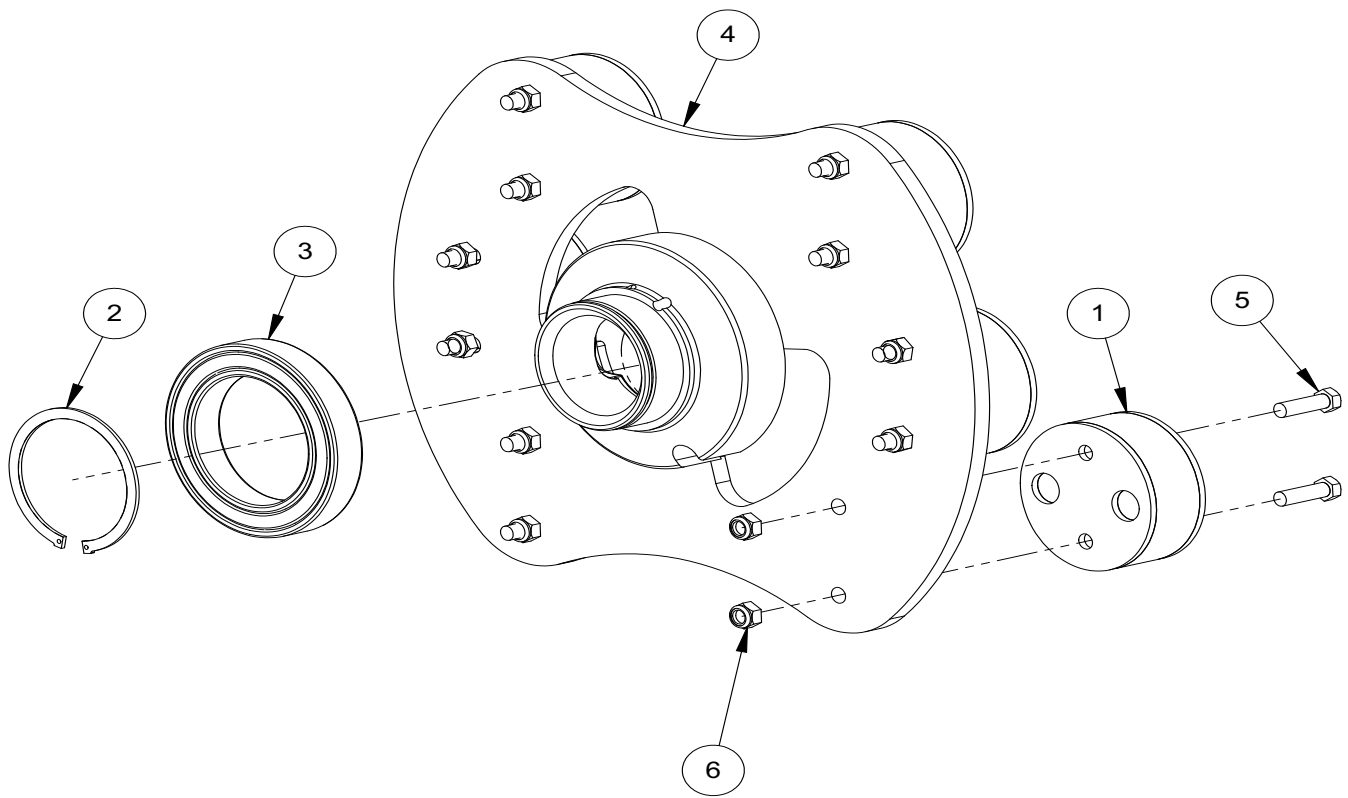
Drum Assembly

ITEM	PART NO.	DESCRIPTION	ATP73	ATS73	ATP84	ATS84
1.	01072	FILTER, FELT	1	1	1	1
2.	01191	RETAINING RING, INTERNAL, STAR	1	1	1	1
3.	07011	RETAINING RING, INTERNAL	2	2	2	2
4.	08188	DECAL, EXCITER OIL	2	2	2	2
5.	17807	COVER, EXCITER, BREATHER SIDE	1	1	1	1
6.	17911	DRUM, ATP73 (PADDED)	1	0	0	0
	17811	DRUM, ATS73 (SMOOTH)	0	1	0	0
	17913	DRUM, ATP84 (PADDED)	0	0	1	0
	17813	DRUM, ATS84 (SMOOTH)	0	0	0	1
7.	17844	O-RING, 7.234 ID X 0.139 DIA	2	2	2	2
8.	17845	BEARING, SPHERICAL ROLLER	2	2	2	2
9.	17846	RETAINING RING, EXTERNAL	1	1	1	1
10.	18111	KIT, SEAL, AT73-84	1	1	1	1
11.	17853	COVER, BREATHER	1	1	1	1
12.	17854	GASKET, COVER	1	1	1	1
13.	17858	SHAFT, AT73	1	1	0	0
	17859	SHAFT, AT84	0	0	1	1
14.	17938	COVER, EXCITER, SEAL SIDE	1	1	1	1
15.	20561	SIGHT GLASS, 1/4 NPT	1	1	1	1
16.	F0205SP	PIN, SPIROL 1/8" X 5/8"	1	1	1	1
17.	F0418SPP	SOCKET PIPE PLUG, 1/4"-18	2	2	2	2
18.	F042005FSS	FLAT HEAD SOCKET SCREW, 1/4"-20 X 5/8"	4	4	4	4
19.	F061604HCS	HEX HEAD CAP SCREW, 3/8"-16 X 1/2"	4	4	4	4
20.	F061610FWS	FLANGE HEAD CAP SCREW, 3/8"-16 X 1-1/4"	12	12	12	12
21.	F0618SHPP	SQUARE HEAD PIPE PLUG, 3/8"-18	1	1	1	1



Main Assembly

ITEM	PART NO.	DESCRIPTION	ATP73	ATS73	ATP84	ATS84
1.	08213	FITTING, STRAIGHT	3	3	3	3
2.	08730	FITTING, ELBOW	1	1	1	1
3.	13166	HOSE, HYDRAULIC 1/2" X 47.00"	1	1	0	0
	17980	HOSE, HYDRAULIC 1/2" X 55.00"	0	0	1	1
4.	13984	SHEET, SAFETY WALK 24"	2	2	2	2
5.	14267	MOTOR, HYDRAULIC	1	1	1	1
6.	14747	FITTING, STRAIGHT	2	2	2	2
7.	17842	FLAT FACE COUPLING, MALE 1/2"	1	1	1	1
8.	17843	FLAT FACE COUPLING, FEMALE 1/2"	1	1	1	1
9.	21004	FRAME, AT73	1	1	0	0
	21005	FRAME, AT84	0	0	1	1
10.	17856	GAURD, HOSE	1	1	1	1
11.	17924	SCRAPER BAR ATP73 (PADDED)	1	0	0	0
	17894	SCRAPER BAR ATS73 (SMOOTH)	0	1	0	0
	17925	SCRAPER BAR ATP84 (PADDED)	0	0	1	0
	17895	SCRAPER BAR ATS84 (SMOOTH)	0	0	0	1
12.	17975	COUPLER, GEAR, 9T SPLINE	1	1	1	1
13.	17976	SLEEVE, COUPLER, GEAR	1	1	1	1
14.	17977	COUPLER, GEAR, 1"-12 THREAD	1	1	1	1
15.	17981	HOSE, HYDRAULIC 1/2" X 53.5"	1	1	0	0
	17979	HOSE, HYDRAULIC 1/2" X 59.00"	0	0	1	1
16.	18107	VALVE COMBINATION (.203 ORIFICE)	1	1	1	1
17.	18127	HOSE, HYDRAULIC 3/4" X 64.00"	2	2	2	2
18.	18656	BRACKET, LEFT	1	1	1	1
19.	18657	BRACKET, RIGHT	1	1	1	1
20.	F051836HCS	HEX HEAD CAP SCREW, 5/16"-18 X 4-1/2"	2	2	2	2
21.	F0518FN	NUT, FLANGE 5/16"-18	2	2	2	2
22.	F05SW	WASHER, 5/16" X 3/4" X 15GA	2	2	2	2
23.	F061607FWS	FLANGE HEAD CAP SCREW, 3/8"-16 X 7/8"	11	11	11	11
24.	F061610SCS	SOCKET HEAD CAP SCREW, 3/8"-16 X 1-1/4"	2	2	2	2
25.	F06LW	LOCKWASHER, 3/8"	2	2	2	2
26.	F081312HCS	HEX HEAD CAP SCREW, 1/2"-13 X 1-1/2"	24	24	24	24
27.	F08LW	LOCKWASHER, 1/2"	24	24	24	24
28.	F101112HCS	HEX HEAD CAP SCREW, 5/8"-11 X 1-1/2"	8	8	8	8
29.	F1011HN	NUT, HEX 5/8"-11	8	8	8	8
30.	F10LW	LOCKWASHER, 5/8"	8	8	8	8
	17994	<u>NOT SHOWN</u> SEAL KIT FOR 14267 HYDRAULIC MOTOR	1	1	1	1



Spider Assembly

