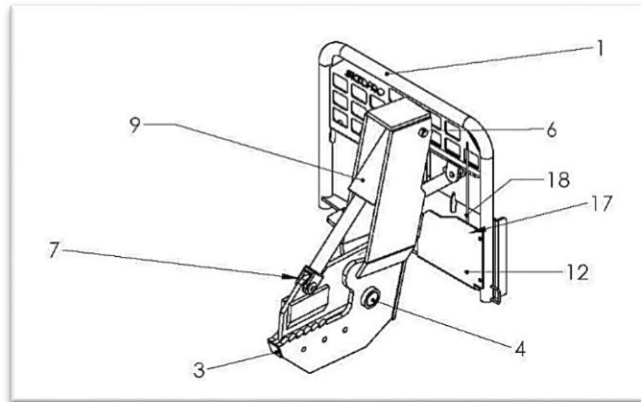
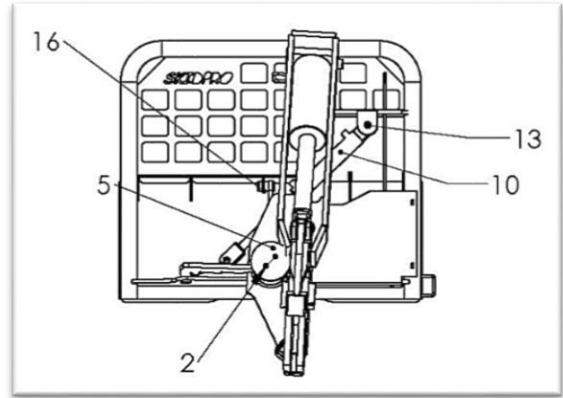
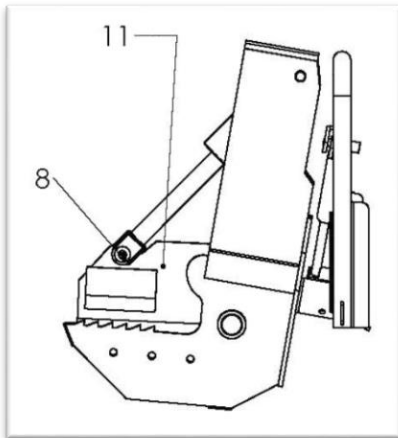


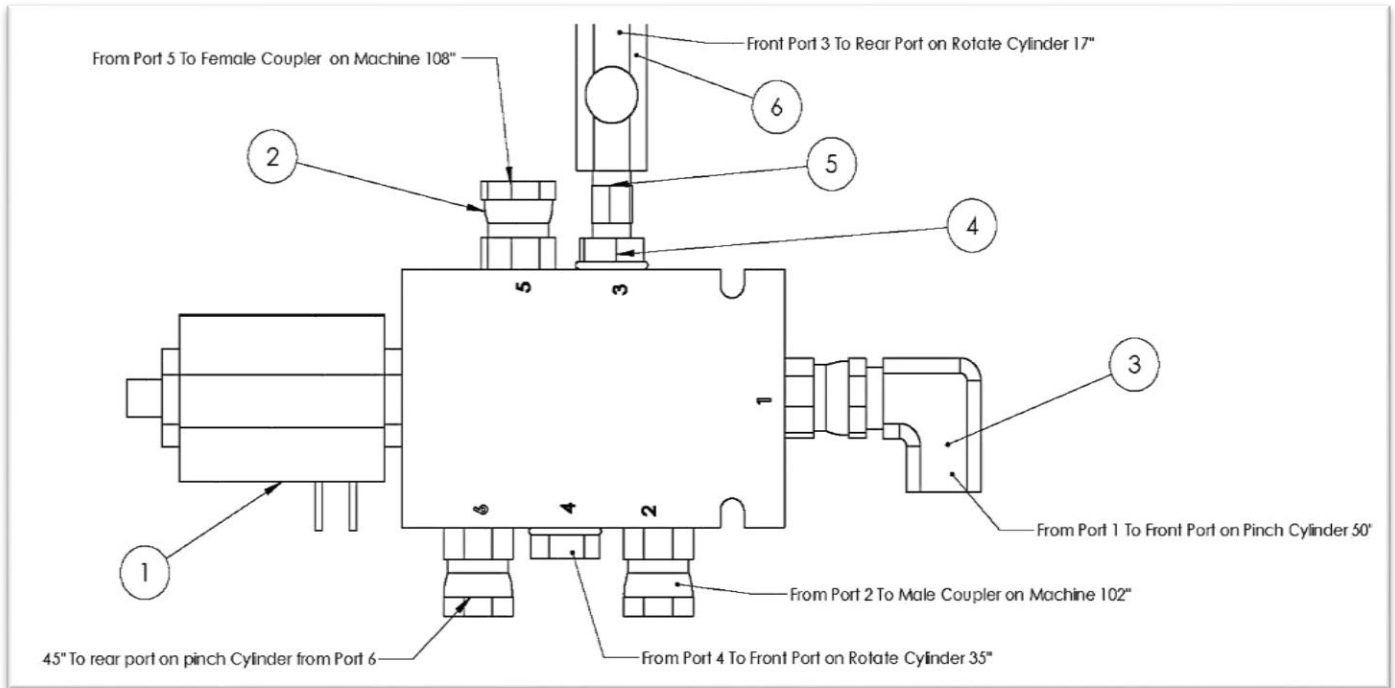
**Tree Shear - Parts Diagram A**



**Tree Shear - Parts List A**

ITEM NO.	PART NUMBER	DESCRIPTION	QTY.
1	666-02-0001	Backer	1
2	666-03-0002	Main Pin	1
3	666-02-0002	Jaw Assembly	1
4	666-03-0017	Blade Pin	1
5	666-03-0020	Washer	1
6	666-02-0004	Rear Cylinder Pin	1
7	666-03-0025	Blade Cylinder Pin	1
8	666-03-0026	Blade Cylinder Pin Cap	1
9	666-02-0006	Pinch CYLINDER	1
10	666-02-0007	Rotate Cylinder	1 - Optional
11	622-02-005	Blade	1
12	666-03-0036	Cover Plate	1 - Optional
13	666-03-0040	Rotate Cylinder Pin	1 - Optional
16	666-03-0045	Keeper Pin	1
17	Rotate Valve Block Assembly	Valve Block Assembly	1 - Optional
18	667-02-0014	Dozer/Tree Shear Wire	1 - Optional

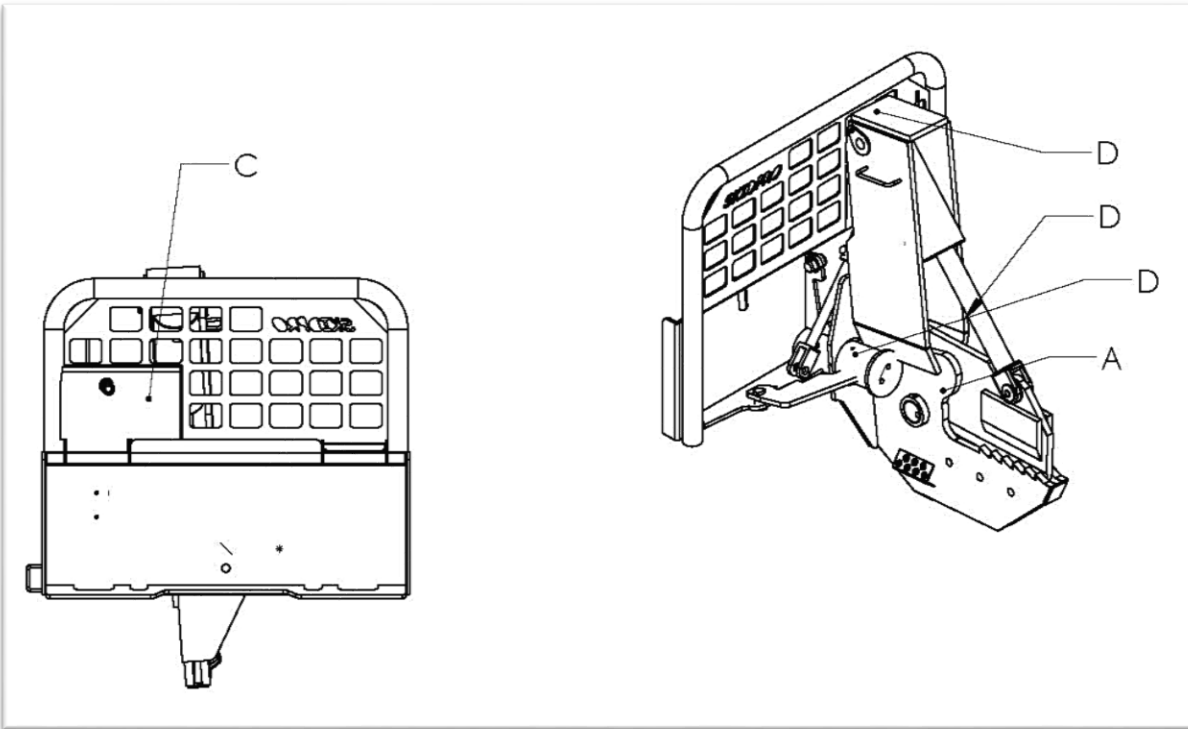
## Rotate Valve Block - Diagram B



## Rotate Valve Block - Parts List B

ITEM NO.	PART NUMBER	DESCRIPTION	QTY
1	666-02-0005	Rotation Valve	1
2	PH500-FT11	-10 Male ORB to 1/2" NPT Female Swivel	4
3	PH500-FT05	90° Fitting	1
4	H250-FT12	-10 Male ORB to 1/4" NPT Female	2
5	PH250-FT09	1/4" Pipe Nipple	1
6	AU-03-3008	1/4 NEEDLE VALVE STEEL W/KNOB	1

## Warning Decal - Diagram C



## Warning Decal - Parts List C

Decals	Description	Part Number	Qty.
A	Keep Hands Clear		1
C	Serial Number		1
D	Grease Dailey		3

## Tree Shear Hose List

### Manual Tree Sheer Hose List

Part Number	Description
SPTS-500-96	½" X 96" Hose, Rear Port Pinch Cylinder to Quick Coupler -
SPTS-500-108	½"X108" Hose, Front Port Pinch Cylinder to Quick Coupler -

### Tree Sheer with Hydraulic Rotate Hose List

Part#	Description
SPTS-500-102	½" X 108" Hose, From Port 5 To Female Coupler on Machine ½" x 102" Hose, From Port 2 To Male Coupler on Machine
SPTS-500-50	½" X 50" Hose, From Port 1 To Front Port on Pinch Cylinder
SPTS-500-45	½" X 45" Hose, From Port 6 To rear port on Pinch Cylinder
SPTS-250-35	¼" X 35" Hose, From Port 4 To Front Port on Rotate Cylinder
SPTS-250-17	¼" X 17" Hose, Front Port 3 To Rear Port on Rotate Cylinder

### Tree Shear Plug Wiring Pins

<b><u>ASV 8 Pin</u></b> Black Wire- Letter A White Wire- Letter B	<b><u>JCB 14 Pin</u></b> Black Wire- Letter B White Wire- Letter A
<b><u>Bobcat &amp; Gehl 14 Pin</u></b> Black Wire- Letter B White Wire- Letter A	<b><u>John Deere 14 Pin</u></b> Black Wire- Letter A White Wire- Letter B
<b><u>Case 14 Pin</u></b> Black Wire- Letter B White Wire- Letter A	<b><u>Kubota 14 Pin</u></b> Black Wire- Letter B White Wire- Letter A
<b><u>Cat 8 Pin</u></b> Black Wire- Letter A White Wire- Letter B	<b><u>Mustang 14 Pin</u></b> Black Wire- Letter B White Wire- Letter A
<b><u>Cat 14 Pin</u></b> Black Wire- Letter B White Wire- Letter A	<b><u>New Holland 14 Pin</u></b> Black Wire- Letter B White Wire- Letter A
<b><u>Gehl 14 Pin</u></b> Black Wire- Letter B White Wire- Letter A	<b><u>Volvo 14 Pin</u></b> Black Wire- Letter B White Wire- Letter A