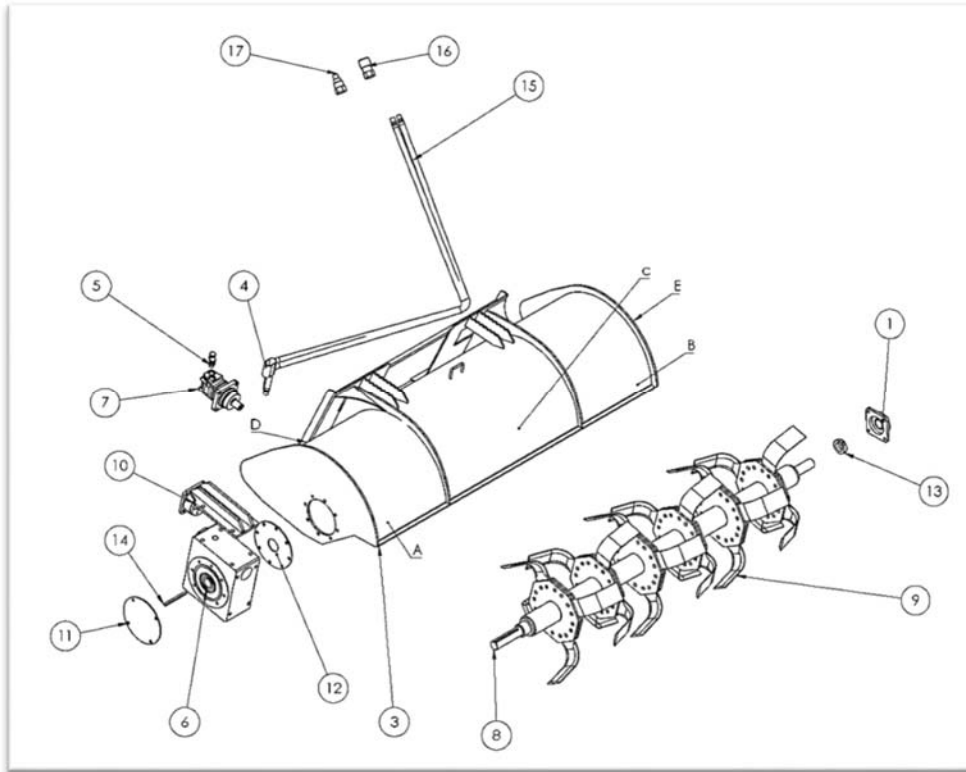


Tiller Parts and Assembly – Diagram and Parts List A



ITEM #	PART NUMBER	DESCRIPTION	QTY.
1	AU-03-1625-1.750	Flange Bearing	1
3	AU-02-1514-72	72" Tiller Body	1
3	AU-02-1514-84	84" Tiller Body	1
4	HSL500-66	Hose Sleeve	1
5	H500-FT11	Fitting	2
6	AU-02-1520	Worm Gear Drive	1
7	105-1670-006	Motor	1
8	AU-02-1515-72	72" Tiller Shaft	1
8	AU-02-1515-84	84" Tiller Shaft	1
9	AU-03-1599	Tiller Tooth	28
10	AU-02-1521	Motor Mount	1
11	AU-03-1653	Outer Seal Cover	2
12	AU-03-1654	Inner Seal Cover	2
13	AU-03-5098	Locking Collar	1
14	AU-03-1594	3/8 Key	1
15	AU-02-1526	Hose	2
16	612-3-0070	Female Quick Coupler	1
17	612-3-0071	Male Quick Coupler	1
A		Blade Warning Decal	1
B		Rotating Machinery Warning Decal	1
C		Skid Pro Attachments Logo Decal	1
D		Serial Number Decal	1
E		Grease Daily Decal	1