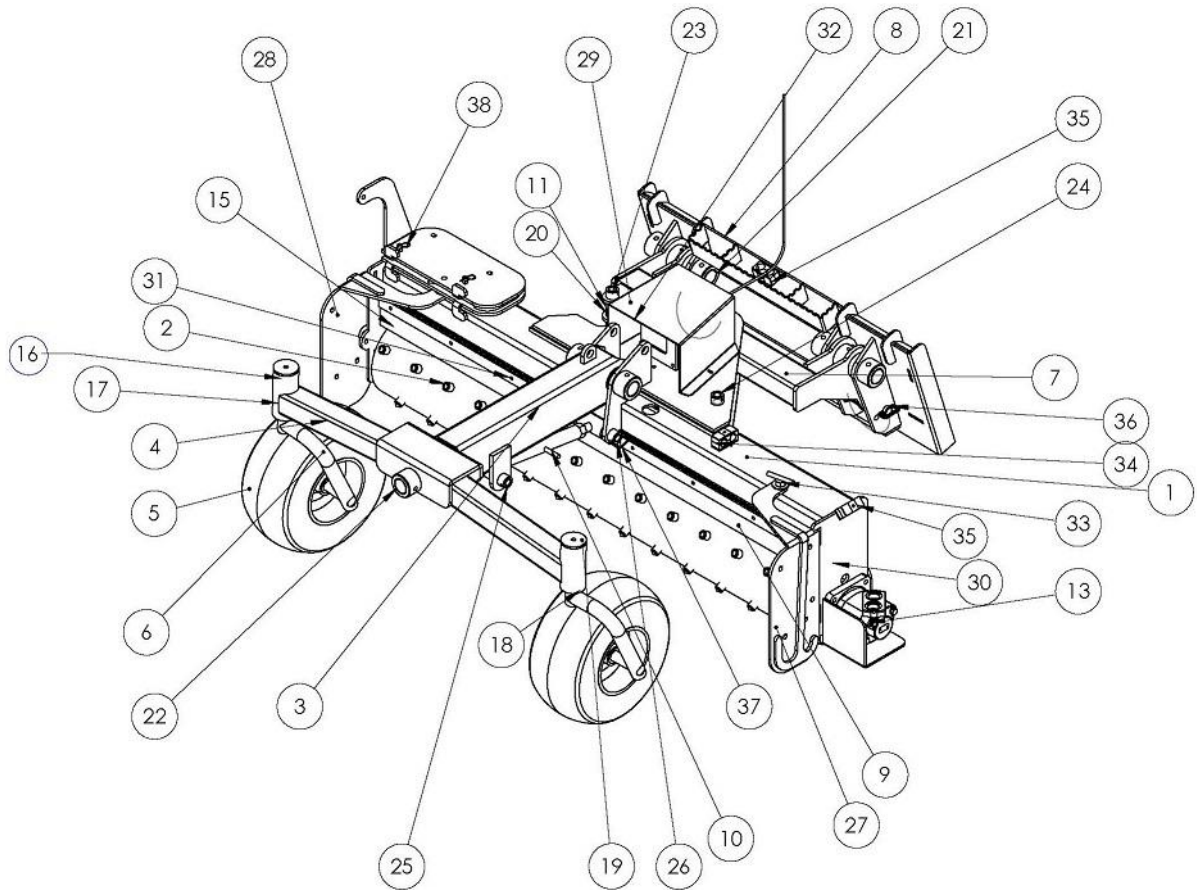


## Soil Conditioner Assembly – Detailed Parts Diagram A

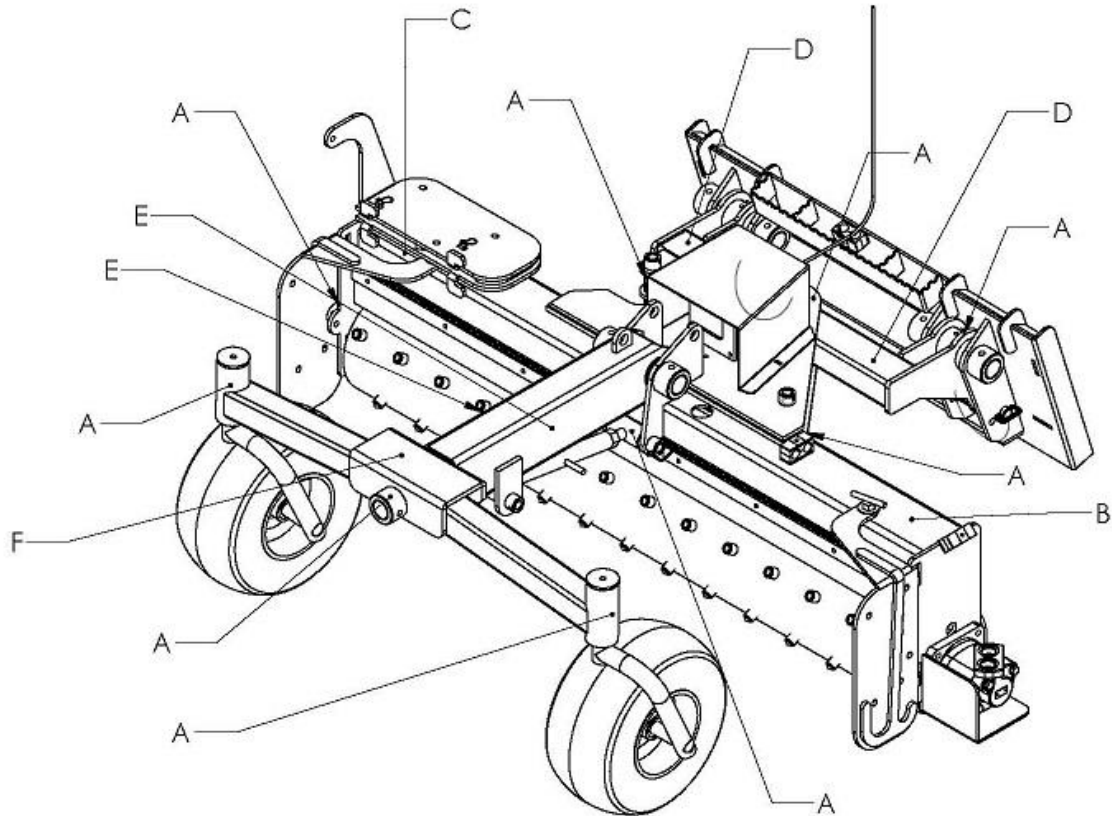


## Soil Conditioner Assembly - Parts List A

ITEM NO.	PART NUMBER	DESCRIPTION	QTY.
1	AU-02-35000-Width	Bridge Assembly	1
2	AU-02-35001-Width	Conditioner Tube	1
3	AU-02-35003	Pivot Arm	1
4	AU-02-35004	Leveling Carriage	1
5	AU-03-35072	Tire & wheel Assembly	2
6	AU-02-35005	Caster Arm Assembly	2
7	AU-02-35006	Angle Assembly	1
8	AU-02-35007	Quick Tach Assembly	1
9	AU-03-35026-Width	Flap	2
10	AU-02-35011	Turn Buckle	1
11	657-02-0010	Cylinder - OPTIONAL	1
13	AU-03-35066	Motor	1
15	AU-03-1625-1.750	Flange Bearing	1
16	AU-03-35042	Wheel Swivel Race	4
17	AU-03-35043	Wheel Swivel Bearing	4
18	AU-03-35044	Seal	2
19	AU-03-35045	Washer	2
20	AU-02-35016	Cylinder Stop Half - OPTIONAL	2
21	AU-03-35047	Pin	3
22	AU-03-35048	Pin	2
23	AU-03-35049	Pin	1
24	AU-03-35050	Pin	1
25	AU-03-35051	Pin	1
26	AU-03-35052	Pin	1
27*	687-02-0004	Box Side LH - OPTIONAL	1
28*	687-02-0005	Box Side RH - OPTIONAL	1
29	AU-03-35067	Valve Guard - OPTIONAL	1
30	AU-03-35065	Motor Hub	1
31	AU-03-35008-Width	Mounting Tab	4
32	-----	Hydraulic Angle Block - OPTIONAL	1
33*	AU-02-35021	Box Wing Keeper - OPTIONAL	2
34	AU-03-8804	Hose Clamp Insert	6
35	AU-03-8803	Hose Clamp Plate	3
36	AU-03-35095	Lock Pin	2
37	AU-03-35096	Pin	2
38	AU-03-35097	Hair Pin Cotter	2

\* Component of Side Plates Option part number 687-02-0002

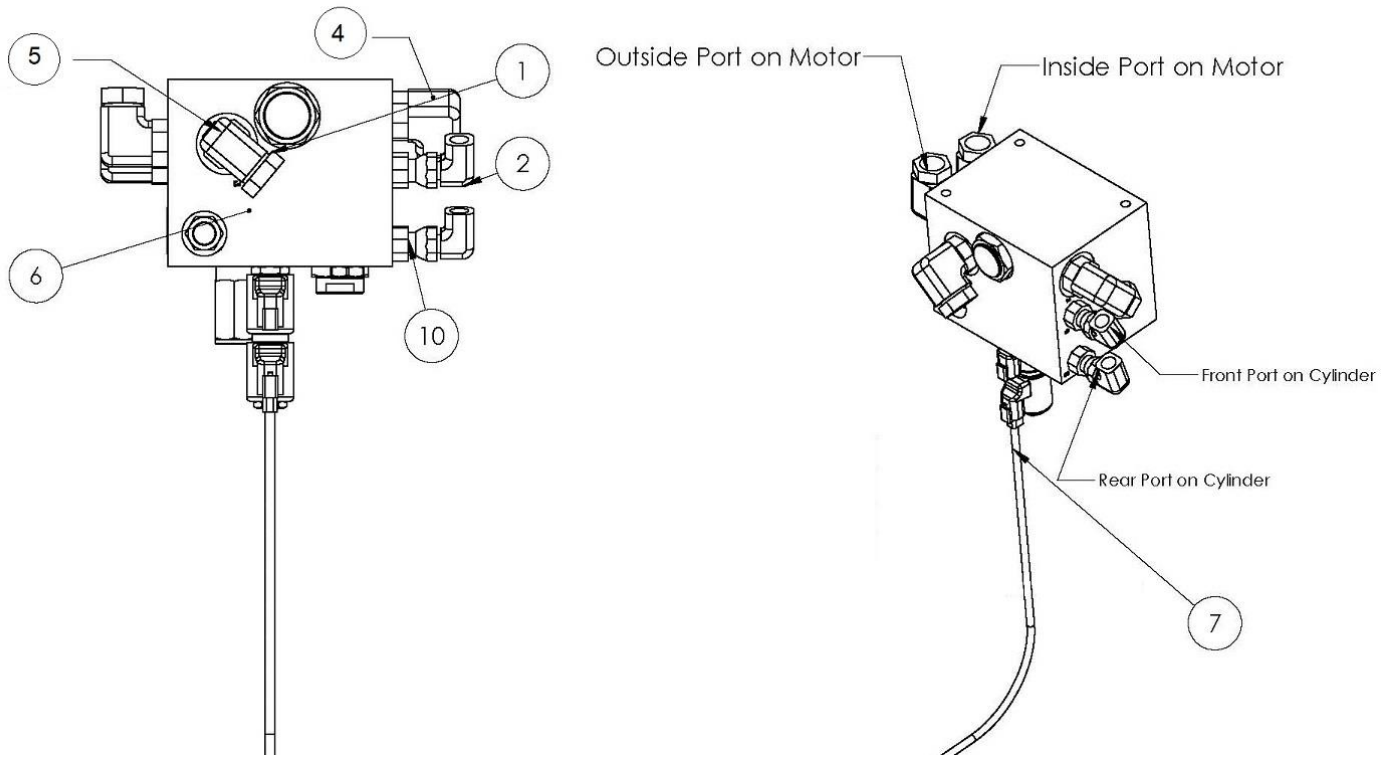
## Warning Decals Diagram B



## Warning Decals - Parts List B

Decal	Part Number	Description	QTY.
A	Decals-3-0019	Grease Dailey	9
B	Decals-3-0028	Danger	1
C	Decals-3-0100	Serial Number	1
D	Decals-3-0015	Danger - Keep Hands Clear	2
E	Decals-3-0005	Skid Pro Logo	2
F	Decals-3-0006	Danger – Stay Back	1

## Soil Conditioner Block Assembly – Detailed Parts Diagram C



## Soil Conditioner Block Assembly – Parts List C

ITEM	Part Number	Description	QTY.
1	H500-FT12-1208	90° Fitting	4
2	H250-FT05	1/4" NPT ST 90	2
3*	H250-FT1208	-8 MORB X -4 FPX Fitting (Hydraulic Angle Option Cylinder Fittings)	2
4	AU-03-9991-12-12	1/2" Male Flat Face Coupler	1
5	AU-03-9990-12-12	1/2" Female Flat Face Coupler	1
6	AU-02-35020	Hydraulic Angle Manifold Block	1
7	AU-02-20053	Wire Harness	1
8*	HSL500	Hose Sleeve to Machine	5
9*	HSL250	Hose sleeve for Angle Cylinder Hoses	2
10	PH250-FT25	1/4" Male NPT to 1/4" Female NPT Swivel	2

\* Not Pictured

## Soil Conditioner Block Assembly – Hose Parts List

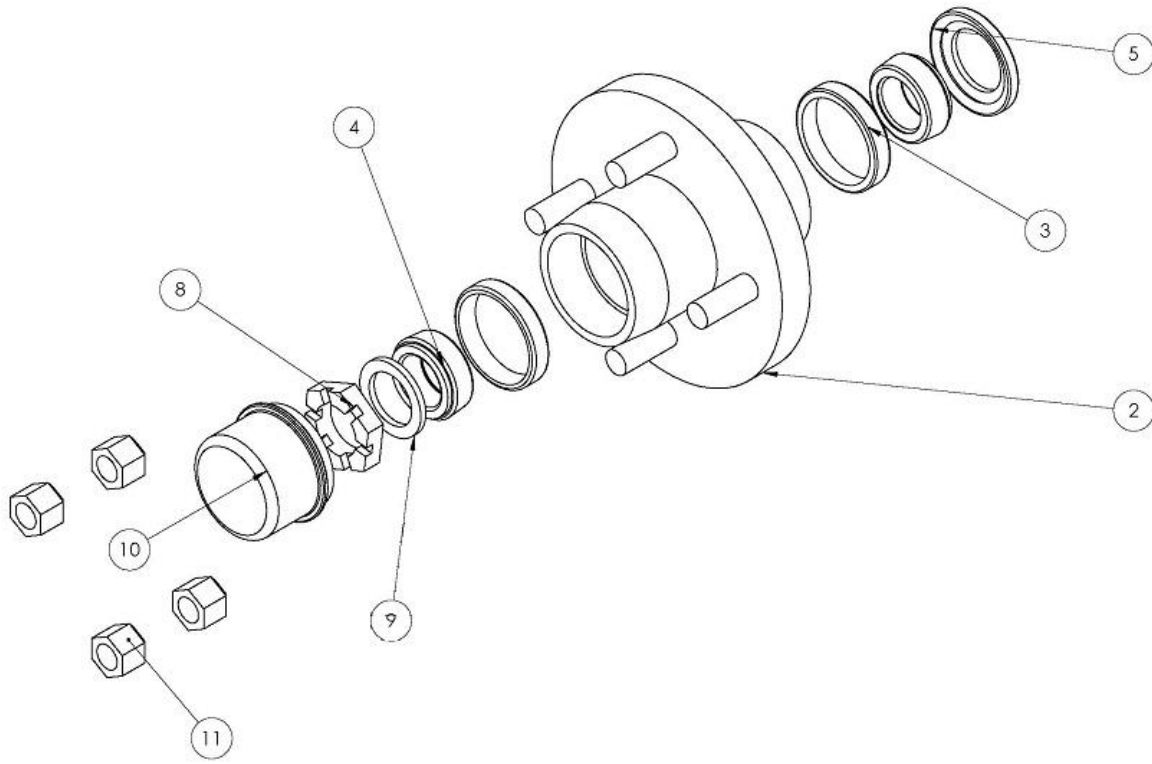
### Manual Angle

Part Number	Description	QTY.
AU-02-35030	From Machine to Motor 72"	2
AU-02-35031	From Machine to Motor 84"	2

### Hydraulic Angle - Optional

Part Number	Description	QTY.
AU-02-35025	Port C2 to Rear Port of Angle Cylinder	1
AU-02-35026	Port C1 to Front Port of Angle Cylinder	1
AU-02-35027	Port M2 to Outside Port of Drum Motor 72"	1
AU-02-35027	Port M1 to Inside Port of Drum Motor 72"	1
AU-02-35028	Port M2 to Outside Port of Drum Motor 84"	1
AU-02-35028	Port M1 to Inside Port of Drum Motor 84"	1
AU-02-35029	Port P2 to Female Coupler	1
AU-02-35029	Port P1 to Male Coupler	1

## Soil Conditioner Hub Assembly – Detailed Parts Diagram D



## Soil Conditioner Hub Assembly – Parts List D

ITEM	Part Number	Description	QTY.
2	AU-03-35073	Hub	1
3	AU-03-35076	Outer race	2
4	AU-03-35077	Outer Bearing	2
5	AU-03-35075	Side Spacer	1
8	AU-03-35098	Nut	1
9	AU-03-35099	Washer	1
10	AU-03-35100	Dust Cap	1
11	AU-03-35101	Lug Nut	4