

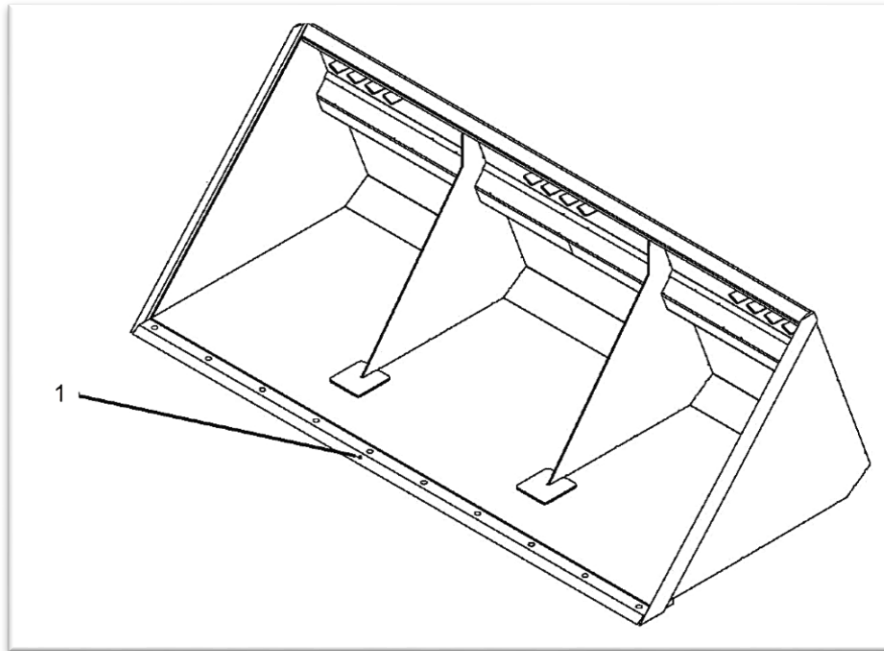
# SNOW BUCKET PARTS

## Introduction

All parts are illustrated in "exploded views" which show the individual parts in the normal relationship to each other. Reference numbers are used in the illustrations. These numbers correspond to those in the "Item No." column, and are followed by the description and quantity required.

The manufacturer reserves the right to change, modify, or eliminate from time to time, for technical or other reasons, certain or all data, specifications, or the product or products themselves, without any liability or obligation.

## Snow Bucket Assembly - Diagram A



## Snow Bucket Assembly - Parts List A

ITEM NO.	PART NUMBER	DESCRIPTION	QTY.
1	AU-03-0625-84	84" Single Bevel Bolt-On Cutting Edge - Optional	1
1	AU-03-0625-96	96" Single Bevel Bolt-On Cutting Edge - Optional	1
1	AU-03-0650-84	84" Double Bevel Bolt-On Cutting Edge - Optional	1
1	AU-03-0650-96	96" Double Bevel Bolt-On Cutting Edge - Optional	1