

Pick-Up Broom Main Assembly

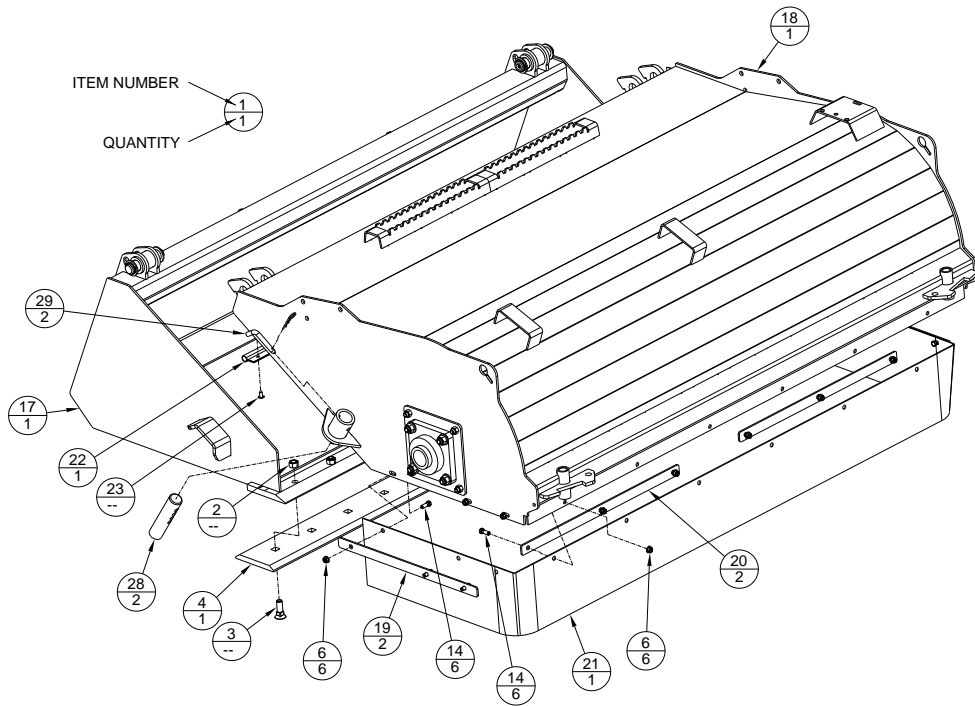


Figure 1.

Pick-Up Broom Pivot Assembly

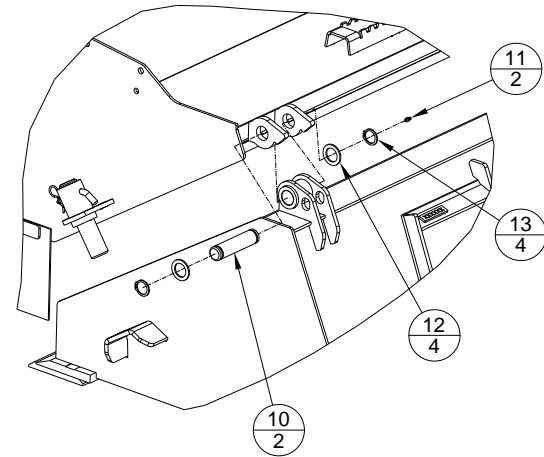


Figure 2.

Pick-Up Broom Core and Shaft Assembly

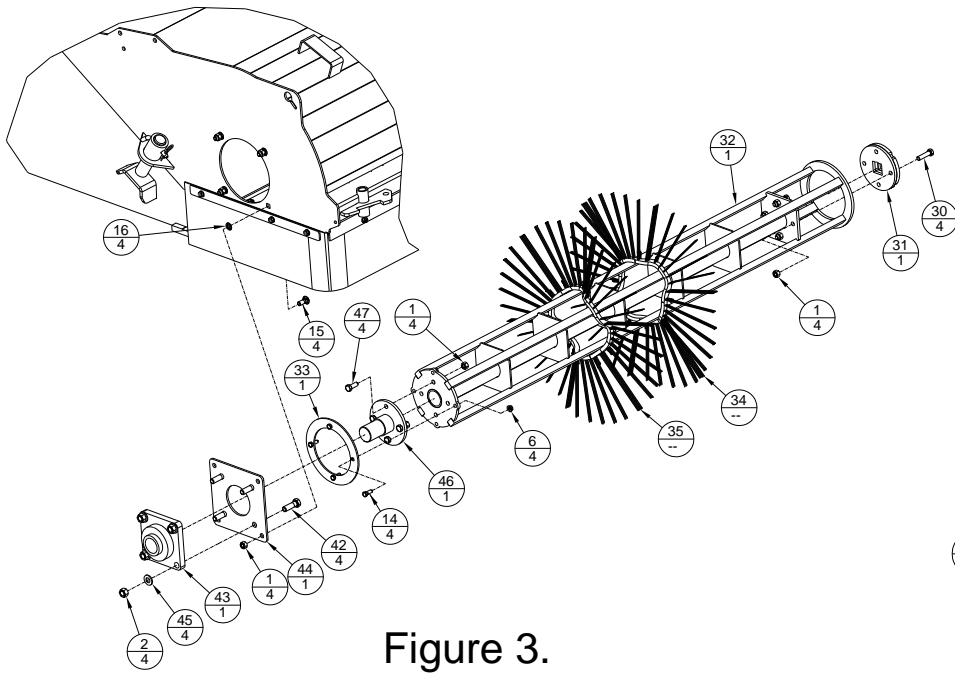


Figure 3.

Hydraulic Component Assembly

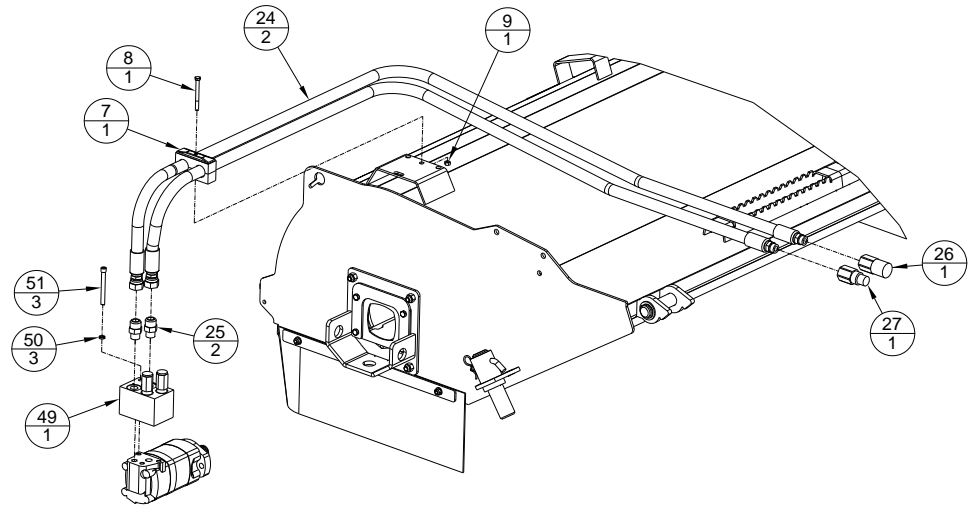


Figure 4.

Standard Coupler Configuration

- Connect female coupler to manifold port "A".
- Connect male coupler to manifold port "B".
- If the Standard Coupler Configuration does not match the machines "detent" position, the couplers can be switched.

Pick-Up Broom Hydraulic Motor Assembly

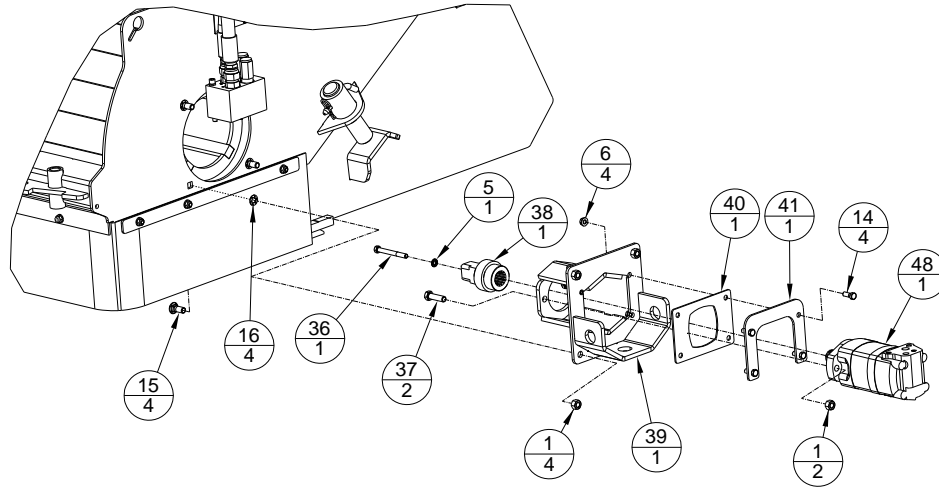


Figure 5.

Pick-Up Broom (PUB) Parts List

ITEM	PART NO.	QTY	DESCRIPTION	
	1	1003PP	18	1/2"-13 REVERSE LOCK NUT
A	2	1008PP	--	5/8"-11 TOP LOCK NUT
A	3	1036PP	--	5/8"-11 X 2" LG PLOW BOLT
A	4	-----	1	BOLT ON EDGE 5/8" X 6"
	5	1075PP	1	3/8" LOCK WASHER
	6	6140PP	20	3/8"-16 TOP LOCK FLANGE NUT
	7	8697PP	1	HOSE CLAMP ASSEMBLY 3/4" HOSE
	8	10684PP	1	5/16"-18 X 3 1/4" LG HHCS
	9	7672PP	1	5/16"-18 HEX NUT REV LOCK
	10	7053VP	2	CLAM PIVOT PIN RC30
	11	1034PP	2	1/4"-28 STRAIGHT GREASE ZERK
	12	1094PP	4	1 1/4" X 10GA MACH BUSHING
	13	1095PP	4	1 1/4" EXTERNAL SNAP RING
	14	7849PP	20	3/8"-16 X 1" LG HHCS
	15	7964PP	8	1/2"-13 X 1 1/4" LG CB
	16	7965PP	8	1/2" PUSHNUT BOLT RETAINER
A	17	-----	1	PUB BUCKET WELDMENT
A	18	-----	1	PUB HOOD WELDMENT
	19	8455VP	2	RUBBER RETAINING STRIP SIDE
	20	8456VP	2	RUBBER RETAINING STRIP FRONT
A	21	-----	1	PICK-UP BROOM RUBBER FLAP
A	22	-----	1	PICK-UP BROOM REAR SEAL
A	23	8865PP	--	5/16" RETAINER PICK UP BROOM
	24	10764PP	2	HYD HOSE 3/4" X 144" LG 12MB TO 12FJX
	25	9028PP	2	ADAPTER 12MJ TO 10MB
	26	6734PP	1	COUPLER FEMALE 12FB
	27	6735PP	1	COUPLER MALE 12FB
	28	8870VP	2	PICK-UP BROOM ADJUSTMENT SHAFT
	29	8873PP	2	1/2" X 3" LG BENT PIN W/CLIP
	30	5149PP	4	1/2"-13 X 2" LG HHCS
	31	10230VW	1	BROOM DRIVE FLANGE WELDMENT
A	32	-----	1	PUB CORE WELDMENT
	33	8398VP	1	PICK-UP BROOM CAP MOTOR END
A	34	8478PP	--	WAFER 26 POLY
A	35	8479PP	--	WAFER 26 STEEL
	36	6970PP	1	3/8"-16 X 3 1/2" LG HHCS
	37	5225PP	2	1/2"-13 X 1 3/4" LG HHCS
	38	7908VW	1	HYD MOTOR DRIVE ADAPTER WDT
	39	10742VW	1	BROOM MOTOR CAN WELDMENT
	40	8509PP	1	BROOM MOTOR RUBBER SEAL

Pick-Up Broom (PUB) Parts List (cont.)

ITEM	PART NO.	QTY	DESCRIPTION	
	41	8510VP	1	BROOM MOTOR SEAL RETAINER
	42	7719PP	4	5/8"-11 X 2" LG HHCS
	43	7773PP	1	2" BEARING W/4 HOLE FLANGE
	44	7916VP	1	VAB BEARING MOUNT PLATE
	45	7957PP	4	5/8" SAE FLAT WASHER
	46	9107VW	1	DRUM ENGAGEMENT PLATE WDT
	47	5226PP	4	1/2"-13 X 1 1/2" LG HHCS
	48	10761PP	1	MOTOR BROOM 18.7 MANIFOLD MOUNT
	49	10762PP	1	MANIFOLD DUAL CROSSOVER RELIEF BROOM
	50	10562PP	3	3/8" HIGH COLLAR LOCK WASHER
	51	10765PP	3	3/8"-16 X 3 1/2" LG SHCS

A - See Table 1.

Table 1

MODEL	PUB60	PUB72	PUB84
5/8"-11 TOP LOCK NUT	14	16	18
5/8"-11 X 2" LG PLOW BOLT	10	12	14
BOLT ON EDGE 5/8" X 6"	8874VP	1192VP	1409VP
PUB BUCKET WELDMENT	10771VW	10723VW	10782VW
PUB HOOD WELDMENT	10774VW	10729VW	10785VW
PICK-UP BROOM RUBBER FLAP	8750PP	8467PP	8765PP
PICK-UP BROOM REAR SEAL	8751PP	8733PP	8766PP
5/16" RETAINER PICK-UP BROOM	8	10	12
PUB CORE WELDMENT	10778VW	10736VW	10789VW
NUMBER OF POLY WAFERS	15	18	21
NUMBER OF STEEL WAFERS	14	17	20
WAFER KIT (POLY/WIRE COMBO)	PWC60	PWC72	PWC84
WEIGHT (lb)	990	1120	1250

All poly wafers available, please contact SkidPro.

Pick-Up Broom Label Parts List

ITEM	PART NO.	QTY	DESCRIPTION
1	5263PP	2	PINCH POINT WARNING LABEL
2	5264PP	2	CRUSH HAZARD WARNING LABEL
3	7490PP	1	25 GPM MAX LABEL
4	8681PP	4	BROOM WARNING LABEL
5	8682PP	3	BROOM DANGER LABEL
6*	9392PP	1	60 WIDTH LABEL
	9397PP		72 WIDTH LABEL
	9399PP		84 WIDTH LABEL
7	SERIALTAG	1	SERIAL NUMBER TAG

*Pick-Up Broom supplied with one, depending on width.

