

PICK UP BROOM (PUB) PARTS LIST

ITEM	PART NO.	QTY	DESCRIPTION
1	1003PP	8	1/2" NC C-LOCK NUT
* 2	1008PP	--	5/8" NC TOP LOCK HEX NUT
3	1034PP	2	1/4"-28 UNF STRAIGHT GREASE FITTING
* 4	1036PP	--	5/8" NC X 2" LG PLOW BOLT
5	1075PP	2	3/8" LOCK WASHER
* 6	-----	1	5/8" X 6" BOLT-ON EDGE
7	6140PP	13	3/8" NC FLANGE LOCK NUT
8	7726PP	1	BRUSH CUTTER HOSE CLAMP ASSEMBLY, STANDARD
9	7729PP	1	3/8" NC X 4 1/2" LG HHCS
10	7810VW	2	DUMPOUT BUCKET ROD END PIN WELDMENT
11	7849PP	12	3/8" NC X 1" LONG HHCS
12	7850PP	2	3/8" NC X 1 1/2" LONG HHCS
13	7915VA	1	PICK UP BROOM SHAFT ASSEMBLY
14	7964PP	8	1/2" NC X 1 1/4" LG CARRIAGE BOLT
15	7965PP	8	1/2" PUSHNUT BOLT RETAINER
* 16	-----	1	PICK UP BROOM BUCKET WELDMENT
* 17	-----	1	PICK UP BROOM HOOD WELDMENT
* 18	-----	1	PICK UP BROOM CORE ASSEMBLY
19	8426VA	1	BROOM HYDRAULIC MOTOR ASSEMBLY
20	8455VP	2	RUBBER RETAINING STRIP, SIDE
21	8456VP	2	RUBBER RETAINING STRIP, FRONT
22	8457PP	2	HYDRAULIC HOSE, 3/4" X 32", #10MB TO #12FJX
23	8458PP	2	PICK UP BROOM LEAD HOSE, 130"
24	8460PP	2	90° ELBOW, 12MJ-12MJ
* 25	-----	1	PICK UP BROOM RUBBER FLAP
26	8697PP	1	HOSE CLAMP ASSEMBLY, 3/4" HOSE
* 27	-----	1	PICK UP BROOM REAR SEAL
28	8734PP	1	FEMALE COUPLER (12FB THREAD), 1/2" BODY
29	8735PP	1	MALE COUPLER (12FB THREAD), 1/2" BODY
30	8736PP	1	5/16" NC X 2 1/2" LG HHCS
* 31	8865PP	--	PICK UP BROOM 5/16" RETAINER
32	8870VP	2	PICK UP BROOM ADJUSTMENT SHAFT
33	8873PP	2	1/2" X 3" LG. BENT LEG PIN W/CLIP

*SEE TABLE 1

PICK UP BROOM (PUB) PARTS LIST (CONTINUED)

TABLE 1

MODEL	PUB60	PUB72	PUB84
5/8" X 6" BOLT ON EDGE	8874VP	1192VP	1409VP
NUMBER OF 5/8" X 2" LG PLOW BOLTS & NUTS	10	12	14
PICK UP BROOM BUCKET WELDMENT	8738VW	8375VW	8753VW
PICK UP BROOM HOOD WELDMENT	8741VW	8380VW	8756VW
PICK UP BROOM CORE ASSEMBLY	8746VA	8390VA	8761VA
PICK UP BROOM RUBBER FLAP	8750PP	8467PP	8765PP
PICK UP BROOM REAR SEAL	8751PP	8733PP	8766PP
PICK UP BROOM 5/16" RETAINER	8	10	12
WEIGHT (LBS)	990	1120	1250

BROOM SPEED

FLOW RATE (GPM)	SPEED (RPM)
16	154
18	173
20	192
22	212
24	231

SPEEDS ARE THE SAME FOR ALL WIDTHS

PICK UP BROOM MAIN ASSEMBLY

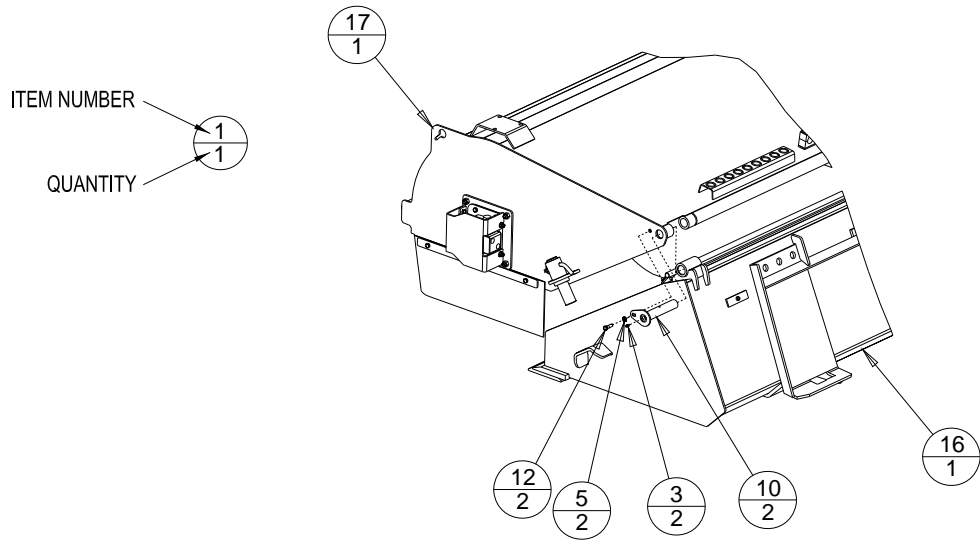


FIGURE 1.

PICK UP BROOM SEALS AND EDGE

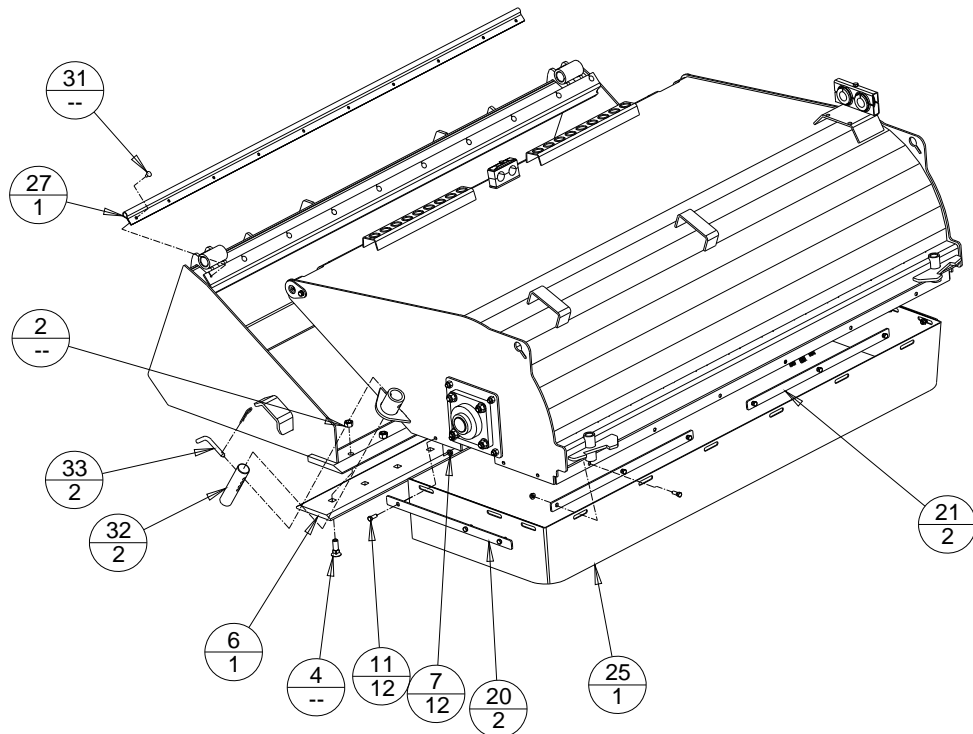


FIGURE 2.

PICK UP BROOM CORE INSTALLATION

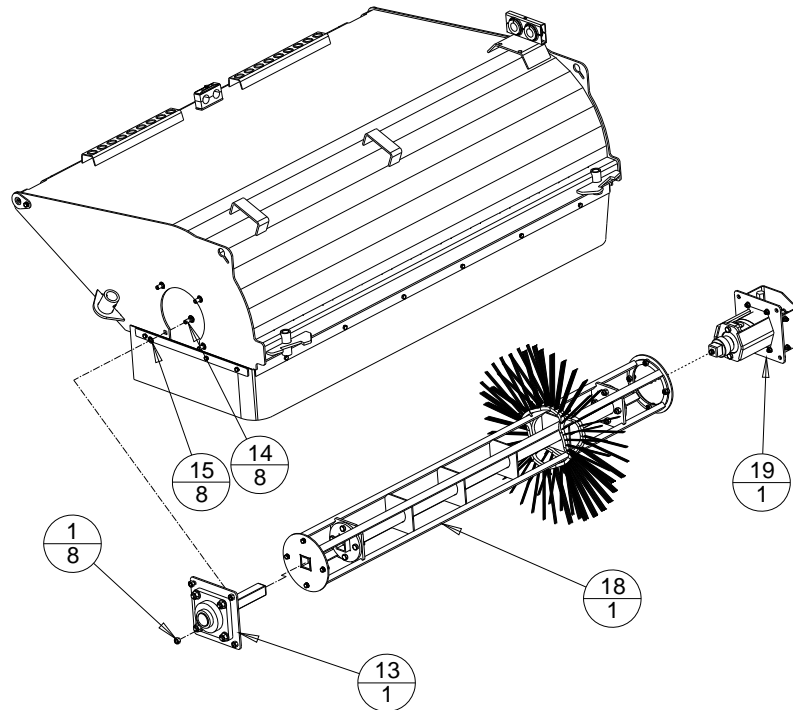


FIGURE 3.

HYDRAULIC COMPONENT ASSEMBLY

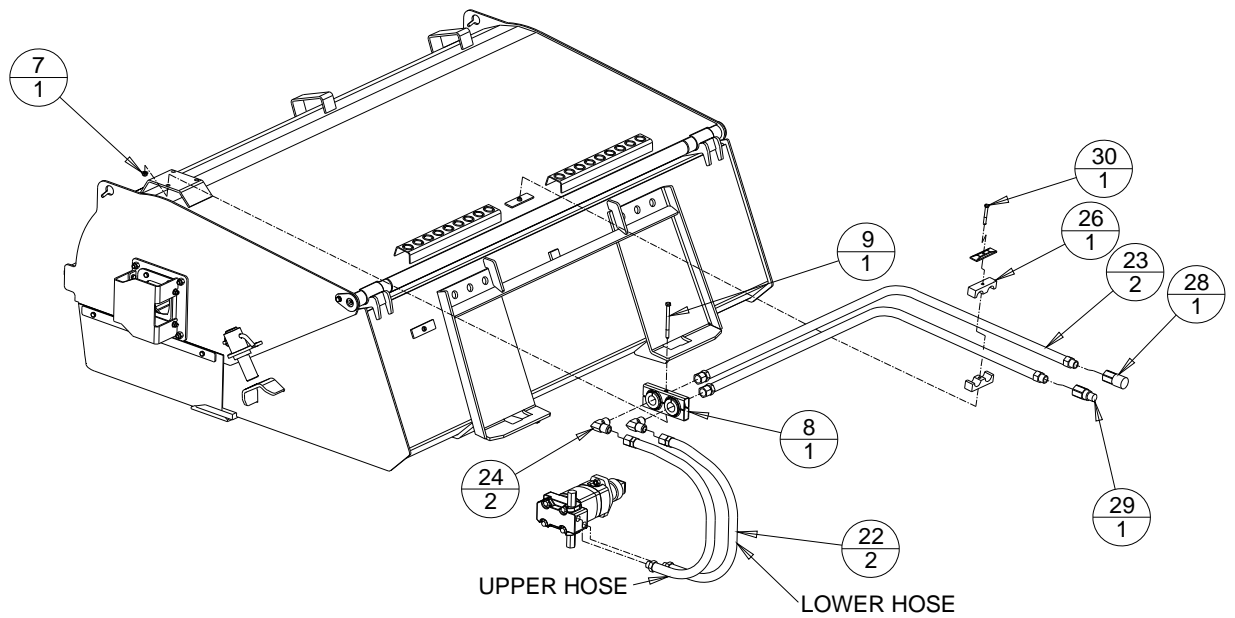


FIGURE 4.

PICK UP BROOM CORE ASSEMBLY

ITEM	PART NO.	QTY	DESCRIPTION
1	1003PP	8	1/2" NC C-LOCK NUT
2	6140PP	8	3/8" NC FLANGE LOCK NUT
3	5226PP	8	1/2" NC X 1 1/2" LG HHCS
4	7849PP	8	3/8" NC X 1" LONG HHCS
5	7931VW	2	ANGLE BROOM ADAPTER FLANGE WELDMENT
* 6	-----	1	PICK UP BROOM CORE WELDMENT
7	8398VP	1	PICK UP BROOM CORE CAP, MOTOR END
8	Obsolete	1	PICK UP BROOM CORE CAP WELDMENT
* 9	8478PP	--	WAFER, 26" POLY
* 10	8479PP	--	WAFER, 26" STEEL

*SEE TABLE 2

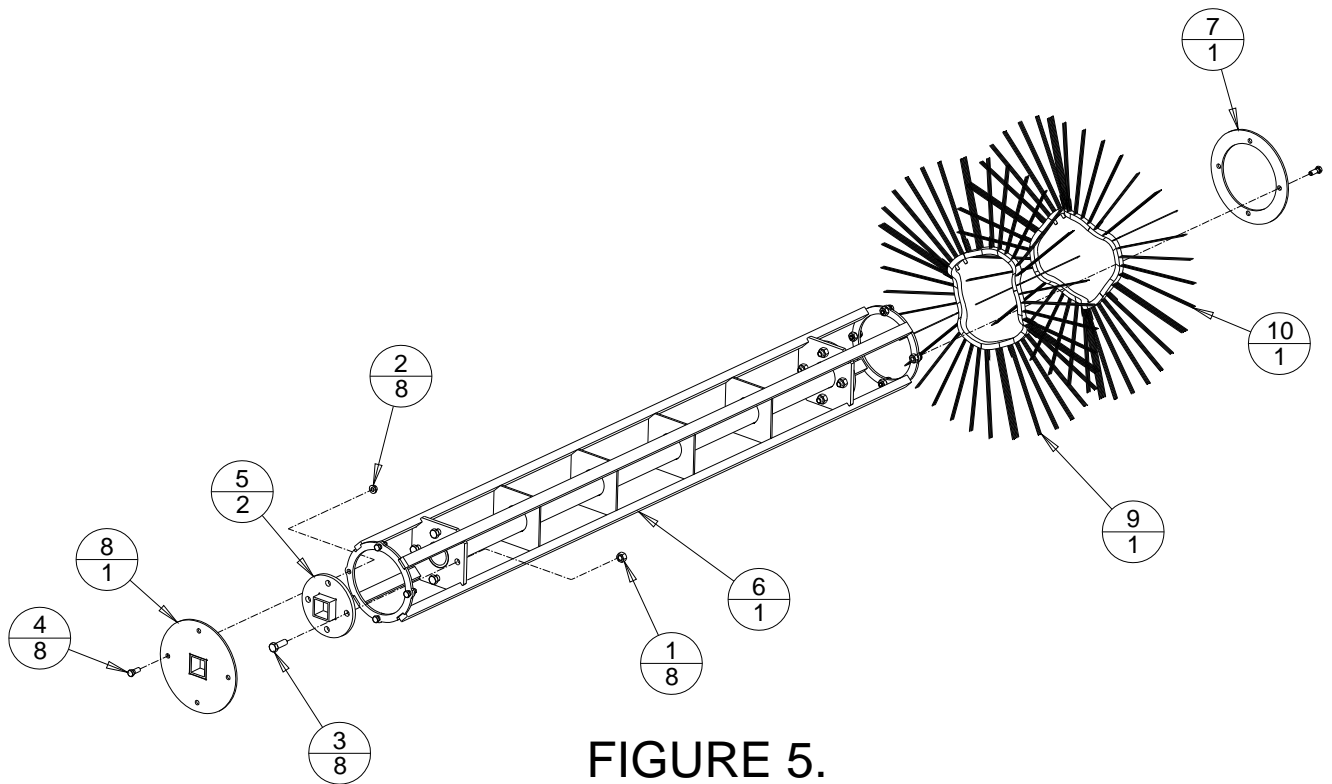


FIGURE 5.

TABLE 2

MODEL	PUB60	PUB72	PUB84
PICK UP BROOM CORE WELDMENT	10778VW* Replaces 8747VW	10736VW* Replaces 8391VW	10789VW* Replaces 8762VW
NUMBER OF POLY WAFERS	15	18	21
NUMBER OF STEEL WAFERS	14	17	20
WAFER KIT (POLY/WIRE COMBO)	PWC60	PWC72	PWC84

* Order with part number 9107VW for backward compatibility

ALL STEEL OR POLY WAFERS AVAILABLE, PLEASE CONTACT YOUR DEALER.

PICK UP BROOM HYDRAULIC MOTOR ASSEMBLY

ITEM	PART NO.	QTY	DESCRIPTION
1	1000PP	1	3/8" NC X 2 1/2" LG HHCS
2	1003PP	2	1/2" NC C-LOCK NUT
3	1075PP	1	3/8" LOCK WASHER
4	5225PP	2	1/2" NC X 1 3/4" LG HHCS
5	6140PP	8	3/8" NC FLANGE LOCK NUT
6	7849PP	8	3/8" NC X 1" LONG HHCS
7	9437PP	1	BROOM HYDRAULIC MOTOR (old # 7907PP)
8	7908VW	1	BROOM HYDRAULIC MOTOR DRIVE ADAPTER WELDMENT
9	8427VW	1	BROOM HYDRAULIC MOTOR MOUNT WELDMENT
10	8508VP	1	BROOM MOTOR COVER
11	8509PP	1	BROOM MOTOR RUBBER SEAL
12	8510VP	1	BROOM MOTOR RUBBER SEAL RETAINER

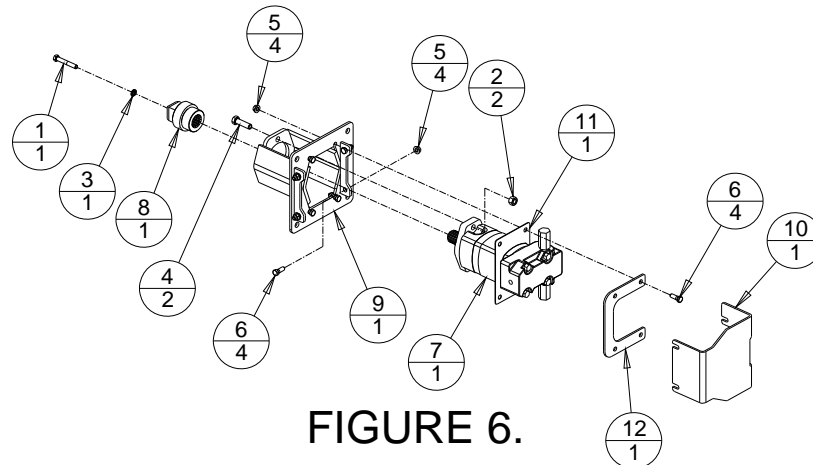


FIGURE 6.

PICK UP BROOM SHAFT ASSEMBLY

ITEM	PART NO.	QTY	DESCRIPTION
1	1008PP	4	5/8" NC TOP LOCK HEX NUT
2	7719PP	4	5/8" NC X 2" LG HHCS
3	7773PP	1	2" BEARING WITH 4 HOLE MOUNTING FLANGE
4	7916VP	1	BROOM BEARING MOUNT PLATE
5	9107VW	1	DRUM ENGAGEMENT WELDMENT (Replaces 7917VP Broom Shaft)
6	7957PP	4	5/8" SAE FLAT WASHER

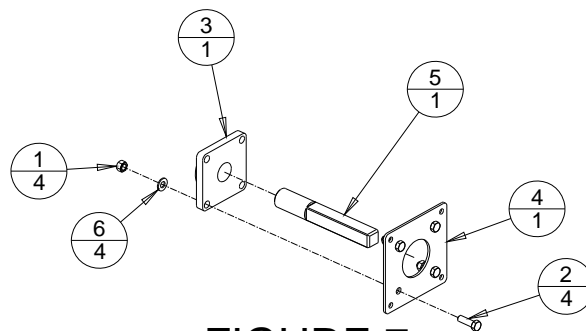


FIGURE 7.

OPTIONAL GUTTER BRUSH ASSEMBLY

ITEM	PART NO.	QTY	DESCRIPTION
1	1003PP	2	1/2" NC C-LOCK NUT
2	1034PP	1	1/4"-28 UNF STRAIGHT GREASE FITTING
3	1083PP	1	3/8" FLAT WASHER
4	5093VP	1	HINGE PIN
5	5146PP	2	1" DIA X 10 GAGE NARROW RIM MACH BUSHING
6	5147PP	2	1" DIA HEAVY SNAP RING
7	5225PP	2	1/2" NC X 1 3/4" LG HHCS
8	6140PP	5	3/8" NC FLANGE LOCK NUT
9	6721PP	4	3/8" NC X 2 1/4" LG HHCS
10	6727PP	2	ADAPTER, 8MJ-8MB
11	6998PP	1	90° ELBOW, #6 SAE O-RING MALE TO #6 JIC MALE, LONG
12	7331PP	3	7/16" NC X 1" LG HHCS
13	7333PP	3	7/16" LOCK WASHER
14	7797PP	1	HYDRAULIC HOSE, 41 1/2" LG, BOTH ENDS #6 JIC FEMALE
15	7850PP	1	3/8" NC X 1 1/2" LONG HHCS
16	7968PP	1	7/8" X 8" HITCH PIN WITH CLIP
17	8263PP	4	ADAPTER, 12MJ-12MB
18	8264PP	2	90° ELBOW, 12MJ-12FJX
19	8404VW	1	GUTTER BROOM PIVOT WELDMENT
20	8408VW	1	GUTTER BROOM ARM WELDMENT
21	8412VW	1	GUTTER BROOM BRUSH MOUNT WELDMENT
22	8414PP	1	GUTTER BROOM BRUSH
23	8459PP	2	HYDRAULIC HOSE, 1/2" X 100", #10MB TO #8FJX
24	8464PP	1	90° ELBOW, #4 SAE O-RING MALE TO #6 JIC MALE
25	8469PP	1	GUTTER BROOM HYDRAULIC MOTOR
26	8470PP	1	GUTTER BRUSH 1/4" RETAINING WASHER
27	8471PP	1	1/4" LOCK WASHER
28	8472PP	1	1/4"-20 X 1 1/4" LONG HHCS
29	8473PP	1	GUTTERBRUSH LIFT CHAIN, 1/4"
30	8474PP	1	GUTTER BRUSH VARIABLE CONTROL VALVE
31	8679PP	3	7/16" SAE FLAT WASHER
32	1113PP	4	3/8" DIAMETER HEAVY FENDER WASHER

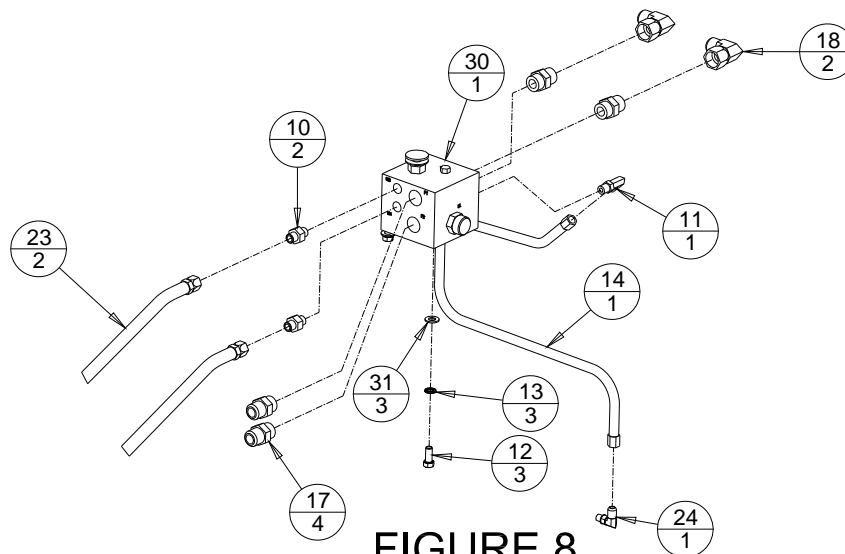


FIGURE 8.

OPTIONAL GUTTER BRUSH ASSEMBLY (CONTINUED)

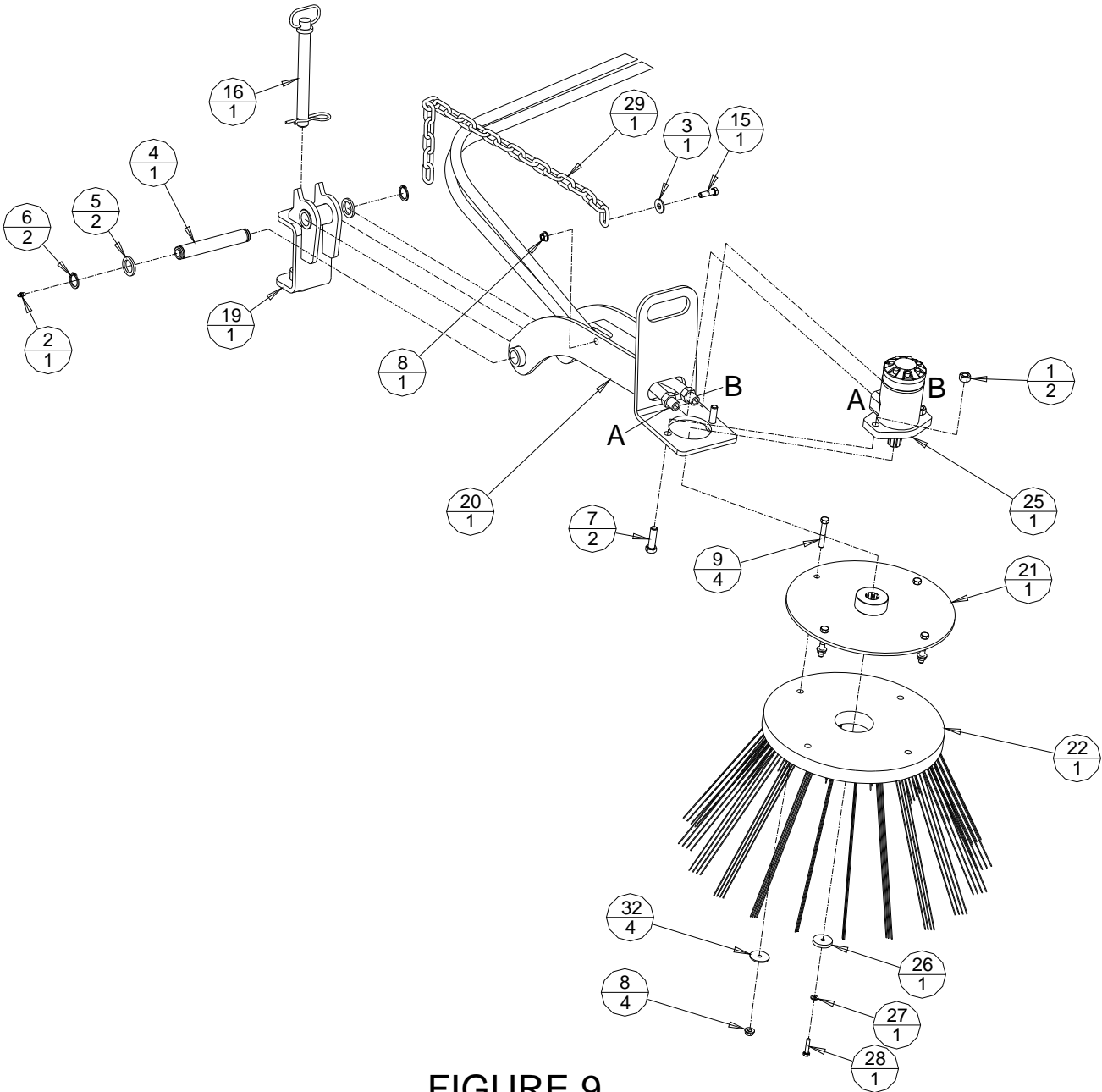


FIGURE 9.