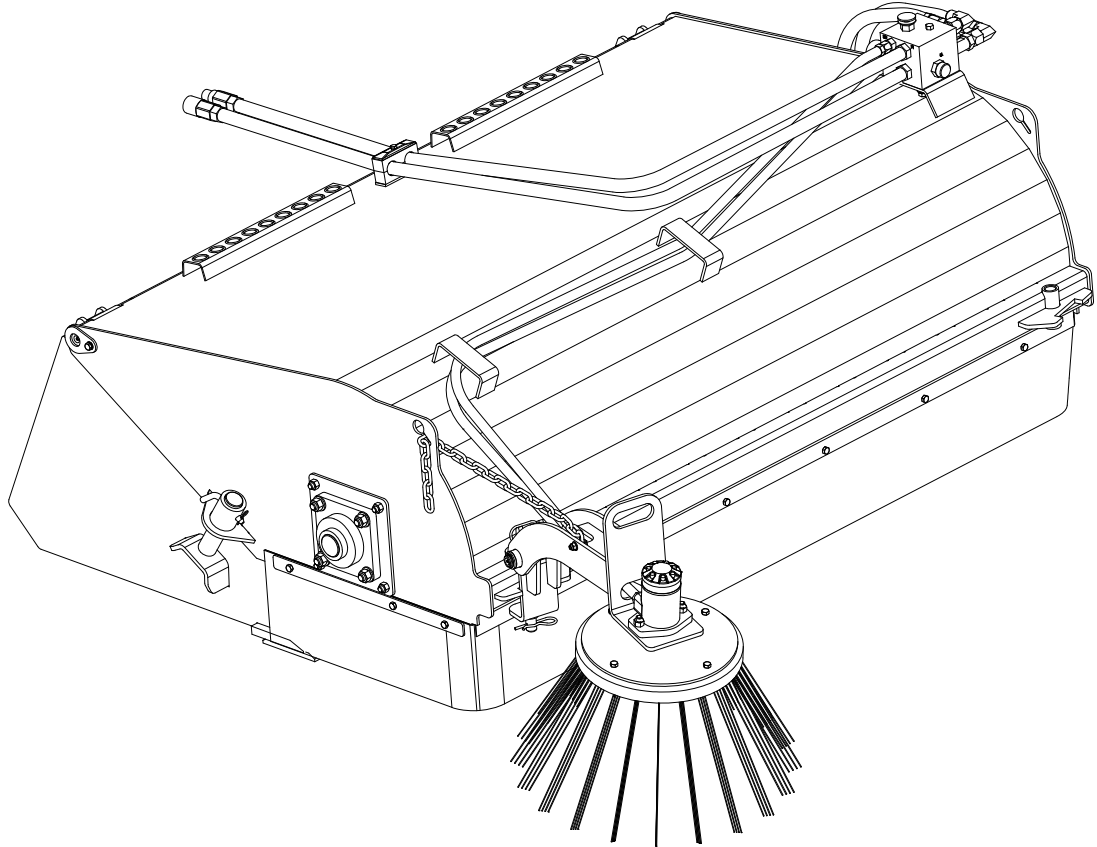




## Pick Up Broom



### OWNERS/OPERATORS MANUAL

Model Number \_\_\_\_\_.

Serial Number \_\_\_\_\_.

Date of Manufacture to 11/30/15 \_\_\_\_\_.

To Serial #110319

Phone: 877-378-4642

Revised 6/27/17

1/21/10

# Warranty

Skid Pro products are warranted to be free from defects, in workmanship, for one year from the end users date of purchase.

Purchased components on Skid Pro products are subject to the warranty of original Manufacturer.

This warranty is void on products that have been Modified or Repaired without the prior consent of Skid Pro .

Skid Pro does not warrant damage from misuse, accidents, or negligence nor damage to machine or surrounding environment.

Claims are limited to replacement parts and a reasonable labor amount. This warranty does not cover service mileage, downtime, or replacement of attachment.

Upon request for warranty claim an RGA number will be assigned and replacement parts sent prepaid ground freight and invoiced. Defective parts need to be returned prepaid to Skid Pro for warranty consideration. Upon inspection, account will be credited for defective part.

Please call Skid Pro at 877-378-4642 with any questions regarding warranty.

## **Features of Skid Pro Pick Up Broom include:**

- Pick Up Broom can operate in both forward and reverse.
- Equipped with a standard 5/8" x 6" bolt on reversible wear edge.
- Adjustable hood easily adjusts to compensate for wear of wafers.
- 15-25 GPM operating flow rate range and 2000 – 3500 PSI operating pressure range.
- Easy exchange of wafers, do not have to disconnect hydraulic lines to change wafer sections.
- Standard wafer package is a 26" diameter poly/wire combination.
- Direct drive design with replaceable drive components.
- Optional Gutter Brush is available.
- Recommended for loaders with an operating capacity greater than 1500 lbs.

## **Initial Use**

- Read and understand all warning information in this manual before operating this attachment.
- Check that quick-tach on frame fits onto loader properly. Pins must engage through 3/8" plates at bottom of quick-tach.
- Slowly roll back attachment. Make sure there is no interference between attachment and loader.
- Connect lead hoses to standard flow hydraulic couplers. Do not connect this attachment to high flow couplers.
- Make sure hoses do not pinch during roll back.
- Slowly roll bucket fully forward. Check that hoses are long enough so they do not stretch or bind.
- Never exceed the maximum attachment operating pressure of 3500 psi.
- With the Pick Up Broom off of the ground, engage the auxiliary hydraulics using the "detent" position on the machine. Check the rotation of the broom (broom should be sweeping away from the machine or clockwise when looking from the motor end.) If this rotation does not match the "detent" position of your machine, switch the couplers on the lead hoses.
- There are 2 hose clamp locations provided to secure the lead hoses if needed. It is recommended that the left side clamp located on the back of the bucket be used for ASV, Bobcat and Caterpillar machines and the center clamp located on the hood be used for all other makes.
- Do not store Pick Up Broom with weight on the wafers as this may deform the bristles reducing the sweeping efficiency.

## **Adjusting the Brush Pattern**

- No initial adjustment of the brush pattern should be required. Periodic adjustment of the Pick Up Broom head will ensure longer wafer life and more efficient operation.
- Check the brush pattern of the Pick Up Broom by starting the broom rotating, lowering the boom arms of the machine to the stops and rolling the bucket forward until the cutting edge is approximately ½"-1" off of the ground. Run the broom for about 10 seconds and lift the broom up and back away. For a correctly adjusted broom, there should be a clean strip about 2-4" wide where the brush was sweeping. If not, an adjustment needs to be made.
- If the pattern is less than 2-4", the broom head needs to be lowered. To do this, prop up the front of the broom to take the weight off of the adjustment shafts (Item #32, see Figure 2). Remove the bent leg pin (Item #33) and move the adjustment shaft to the next lower hole location. Reinstall the bent leg pin. Repeat procedure on other side of the Pick Up Broom.
- Make sure both sides are evenly adjusted to ensure consistent wear across the width of the broom.

## **Operation**

- Always follow safety and operating information in this manual.
- Always follow all safety and operating instructions of the loader.
- Never remove material deflectors or warning labels.
- Never operate Pick Up Broom unless you have been properly trained.
- Make sure all safety labels are in place, look in this manual for their locations.
- Do not sweep toward people, buildings, etc. that may be injured or damaged by flying debris.
- Always relieve pressure before connecting or disconnecting hydraulic hoses.
- Clean any debris from attachment. Pay special attention to any debris in quick-tach area.
- The Pick Up Broom is designed to be operated driving in the forward direction so that the brush sweeps debris away from the operator (brush spins clockwise when looking from the motor end). The brush will spin in the opposite direction and should be when sweeping and travelling backward.
- Do not change the direction of the broom without allowing the broom to come to a complete stop. Doing so may cause premature failure of components.

## **Sweeping Recommendations**

- Sweep with the wind whenever possible to provide more efficient operation and keep debris off of the operator.
- When driving forward, sweep in such a manner that the material being swept goes up and over the wafers and into the bucket (broom should be rotating clockwise looking from the motor end). This should be the “detent” position on the machines controls.
- When driving in reverse, sweep in such a manner that the material goes directly into the bucket (broom should be rotating counterclockwise looking from the motor end).
- When sweeping on rough terrain, reduce machine ground speed to minimize “bouncing” of broom head.
- The cutting edge of the bucket should be approximately ½”-1” off of the ground during normal operation.
- Avoid excessive weight on the broom wafers. Brooms sweep with the tips of the wafers; therefore, the sweeping contact pattern should be about 2”-4”. Unnecessary weight promotes excessive wear and premature failure of wafers. Ensure the adjustment shafts are adjusted equally to provide consistent wafer wear.

## **Maintenance**

\*Before each use and after every 10 hours of operation

- Grease hinge pins and bearing (3 fittings on Pick Up Broom, 1 additional fitting if equipped with optional Gutter Brush).
- Check for wear on wafers. If the outside diameter of the wafers is one half of the original diameter, the wafers need to be replaced. The original diameter of the wafers for the Pick Up Broom is 26”.
- Make sure all safety labels are in place, look in this manual for locations.
- Check for loose, worn, or missing parts, repair or replace as needed.
- Remove any foreign debris such as string, wire, etc. that may have wrapped around the brush head.
- Inspect motor, valve, hydraulic fittings, and hoses for leaks and damage. Replace as needed. Make sure machine is shut off and hydraulic pressure is relieved before checking for leaks. Never use hands to check for high pressure hydraulic leaks.
- The pressure relief valves require no maintenance. The valves are pre-set and require no adjustment. Changing settings may cause damage to the motor. Please call Skid Pro with any questions or problems regarding the pressure relief valves.
- Contact your dealer for any required replacement parts.

## **Brush Replacement Procedure**

- Remove the Rubber Flap (Item #25, see Figure 2) from the sides of the Pick Up Broom Hood by removing the Rubber Retaining Strips (Item #20) from both sides by removing the 3/8" nut (Item #7) from the 3/8" x 1" bolt (Item #11).
- Remove the 4 nuts (Item #1, see Figure 3) holding the Hydraulic Motor Assembly (Item #19) and remove the Hydraulic Motor Assembly.
- Remove the 4 nuts (Item #1, see Figure 3) holding the Broom Shaft Assembly (Item #13) and remove the Pick Up Broom Shaft Assembly.
- The core should be free from the brush head. Lift brush head and remove to expose core.
- Remove the retaining plate (either Item #7 or Item #8) from one end of the core (see Figure 5).
- Remove old brush sections. Inspect drive bars for indentations or excessive wear. Replace core cage if damage is evident.
- Stand core on end with retaining plate still attached and install the new brush sections making sure the drive pins of the wafer engage one of the core drive bars. For a snug fit, install consecutive wafers so that the drive pins are 180° apart. Start with a poly wafer and alternate between poly and wire wafers until core is full. The last wafer should be poly also.
- Reinstall the retaining plate and lay core on ground. When handling the core, do not use the wafers to move the core.
- Lower brush head over core with new brush sections.
- Reinstall Pick Up Broom Shaft Assembly into core and secure with nuts.
- Before reinstalling motor, remove the 3/8" bolt (Item #1, see Figure 6) holding the Drive Adapter (Item #8) on the Hydraulic Motor (Item #7) and apply a thin layer of grease to the splines of the motor. Reinstall Drive Adapter to the Hydraulic Motor.
- Reinstall Hydraulic Motor Assembly and secure with nuts.
- Reinstall the Rubber Flap and Retaining Strips on both sides of the Pick Up Broom Hood.

## **Optional Gutter Brush Operation**

- The Gutter Brush is equipped with a variable speed valve. This allows the operator to adjust the speed of the gutter brush based on the material being swept as well as turn the Gutter Brush off if not in use. Slower speeds are recommended for heavier, denser materials, while faster speeds may be better for lighter materials.
- Use the adjustment chain provided to adjust the height of the Gutter Brush to contact the ground when the Pick Up Broom is in the correct sweeping position.
- The Gutter Brush is to be used only when sweeping operating the Pick Up Broom in the forward direction. The Gutter Brush will not function if the broom is rotating in the counterclockwise (backward) direction when looking from the broom motor end of the Pick Up Broom.
- The Gutter Brush provides an additional 12" of sweeping width and is useful when sweeping along curbs or buildings. Only the bristle tips of the gutter brush should touch the vertical surface of the curb or wall.
- If the Gutter Brush is not going to be used for a short period of time, shut the variable speed valve off and lift the brush 2-4" off of the ground using the adjustment chain.
- If the Gutter Brush is not going to be used for long periods of time, shut the variable speed valve off and secure the brush in its storage position using the adjustment chain. It is not recommended to remove the Gutter Brush from the Pick Up Broom when not in use.

## **Field Installation of Optional Gutter Brush**

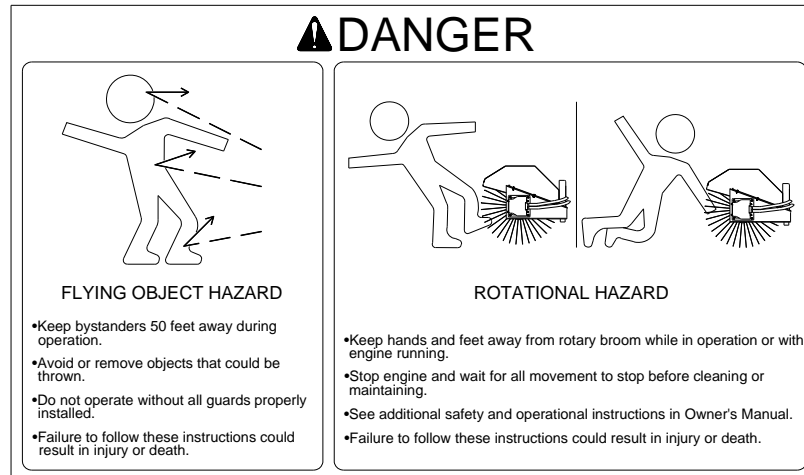
- The Gutter Brush can be installed on either the right or left hand side of the Pick Up Broom. Care needs to be taken when connecting the Gutter Brush hydraulic lines to the valve block.
- Make sure machine is shut off and hydraulic pressure has been relieved.
- Disconnect hydraulic lines from the machine if not already done.
- Remove 3/8" nut (Item #7) holding the hose clamp (Item #8) on left hand side (as seated in machine) of broom and remove hose clamp (see Figure 4). These items will not be used for the Gutter Brush installation.
- Install valve block (Item #30, see Figure 8) on valve mounting bracket (same bracket the hose clamp was removed from in previous step) with hardware provided (Items #12, #13 and #31).
- Install Gutter Brush on desired side of Pick Up Broom using the 7/8" hitch pin provided (Item #16, see Figure 9). Secure Gutter Brush with adjustment chain provided.

## **Field Installation of Optional Gutter Brush (continued)**

- Remove hydraulic motor cover (Item #10, see Figure 6) by loosening the 3/8" nuts and bolts (Items #5 and #6). The hardware does not need to be removed.
- Remove 90° elbows (Item #24, See Figure 4) connecting the lead hoses (Item #23) to the motor hoses (Item #22). Take note of which lead hose and coupler connects with which motor hose. These elbows will no longer be used. To minimize loss of hydraulic oil, lay coupler ends of hoses on the ground and hold elbows over drain pan when disconnecting.
- Connect the lower motor hose (see Figure 4) to port "M1" on the valve block and the upper motor hose to port "M2".
- Remove the case drain plug on the Pick Up Broom hydraulic motor (located on the opposite side of the motor from the hose ports) and install the small 90° elbow (Item #24, see Figure 8) and connect the case drain hose (Item #14) that is attached to the valve block. Secure case drain hose to motor hoses with zip ties (not shown).
- Reinstall hydraulic motor cover and tighten hardware.
- Connect the lead hose that was connected to the lower motor hose to port "P1" on the valve block and the lead hose that was connected to the upper motor hose to port "P2" on the valve block.
- If the Gutter Brush is mounted on the right side of the Pick Up Broom, route the hoses through the hose guides and connect Gutter Brush hose "A" (see Figure 9) to port "M3" on valve block and Gutter Brush hose "B" to port "M4".
- If the Gutter Brush is mounted on the left side of the Pick Up Broom, route the hoses through the center hose guide and connect Gutter Brush hose "A" (see Figure 9) to port "M4" on the valve block and Gutter Brush hose "B" to port "M3".
- After all hose connections have been tightened, connect the broom hydraulics to the loader and test run. With the Pick Up Broom spinning in the clockwise direction when looking from the motor end, the Gutter Brush should be spinning such that it would be throwing material in front of the Pick Up Broom. You may have to turn the control knob on top of the valve out if the Gutter Brush is not spinning.
- If the Gutter Brush does not spin with the Pick Up Broom spinning in the clockwise direction, then the gutter brush hoses probably need to be switched. To verify this, run the broom in the reverse direction, if the gutter brush spins, the gutter brush hoses need to be switched.
- Call Skid Pro at 1-877-378-4642 with any installation questions.

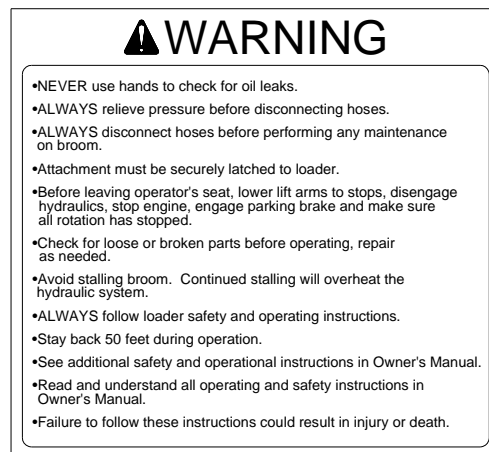


# WARNING LABELS ON PICK UP BROOM ATTACHMENT



This label is located on the front and sides of hood.

Label has several important instructions for safe operation regarding flying object hazards and rotational hazards.



This label is located on sides of the hood and on the back of the bucket near the quicktach.

All bystanders must stay clear during operation.

This label has several important instructions that must be followed for safe operation of this attachment.

# WARNING LABELS ON PICK UP BROOM ATTACHMENT



This label is located on the front of the hood weldment on each side of the attachment.

This label has several important instructions that must be followed for safe operation of this attachment.



This label is located on the side of the bucket near the pivot locations.

Always keep hands clear of pivot locations when loader hydraulic system is operational.



This label is located on the hood facing the operator.

This label indicates the Maximum flow rate for this attachment

# PICK UP BROOM (PUB) PARTS LIST

ITEM	PART NO.	QTY	DESCRIPTION
1	1003PP	8	1/2" NC C-LOCK NUT
* 2	1008PP	--	5/8" NC TOP LOCK HEX NUT
3	1034PP	2	1/4"-28 UNF STRAIGHT GREASE FITTING
* 4	1036PP	--	5/8" NC X 2" LG PLOW BOLT
5	1075PP	2	3/8" LOCK WASHER
* 6	-----	1	5/8" X 6" BOLT-ON EDGE
7	6140PP	13	3/8" NC FLANGE LOCK NUT
8	7726PP	1	BRUSH CUTTER HOSE CLAMP ASSEMBLY, STANDARD
9	7729PP	1	3/8" NC X 4 1/2" LG HHCS
10	7810VW	2	DUMPOUT BUCKET ROD END PIN WELDMENT
11	7849PP	12	3/8" NC X 1" LONG HHCS
12	7850PP	2	3/8" NC X 1 1/2" LONG HHCS
13	7915VA	1	PICK UP BROOM SHAFT ASSEMBLY
14	7964PP	8	1/2" NC X 1 1/4" LG CARRIAGE BOLT
15	7965PP	8	1/2" PUSHNUT BOLT RETAINER
* 16	-----	1	PICK UP BROOM BUCKET WELDMENT
* 17	-----	1	PICK UP BROOM HOOD WELDMENT
* 18	-----	1	PICK UP BROOM CORE ASSEMBLY
19	8426VA	1	BROOM HYDRAULIC MOTOR ASSEMBLY
20	8455VP	2	RUBBER RETAINING STRIP, SIDE
21	8456VP	2	RUBBER RETAINING STRIP, FRONT
22	8457PP	2	HYDRAULIC HOSE, 3/4" X 32", #10MB TO #12FJX
23	8458PP	2	PICK UP BROOM LEAD HOSE, 130"
24	8460PP	2	90° ELBOW, 12MJ-12MJ
* 25	-----	1	PICK UP BROOM RUBBER FLAP
26	8697PP	1	HOSE CLAMP ASSEMBLY, 3/4" HOSE
* 27	-----	1	PICK UP BROOM REAR SEAL
28	8734PP	1	FEMALE COUPLER (12FB THREAD), 1/2" BODY
29	8735PP	1	MALE COUPLER (12FB THREAD), 1/2" BODY
30	8736PP	1	5/16" NC X 2 1/2" LG HHCS
* 31	8865PP	--	PICK UP BROOM 5/16" RETAINER
32	8870VP	2	PICK UP BROOM ADJUSTMENT SHAFT
33	8873PP	2	1/2" X 3" LG. BENT LEG PIN W/CLIP

\*SEE TABLE 1

# PICK UP BROOM (PUB) PARTS LIST (CONTINUED)

**TABLE 1**

MODEL	PUB60	PUB72	PUB84
5/8" X 6" BOLT ON EDGE	8874VP	1192VP	1409VP
NUMBER OF 5/8" X 2" LG PLOW BOLTS & NUTS	10	12	14
PICK UP BROOM BUCKET WELDMENT	8738VW	8375VW	8753VW
PICK UP BROOM HOOD WELDMENT	8741VW	8380VW	8756VW
PICK UP BROOM CORE ASSEMBLY	8746VA	8390VA	8761VA
PICK UP BROOM RUBBER FLAP	8750PP	8467PP	8765PP
PICK UP BROOM REAR SEAL	8751PP	8733PP	8766PP
PICK UP BROOM 5/16" RETAINER	8	10	12
WEIGHT (LBS)	990	1120	1250

## BROOM SPEED

FLOW RATE (GPM)	SPEED (RPM)
16	154
18	173
20	192
22	212
24	231

SPEEDS ARE THE SAME FOR ALL WIDTHS

# PICK UP BROOM MAIN ASSEMBLY

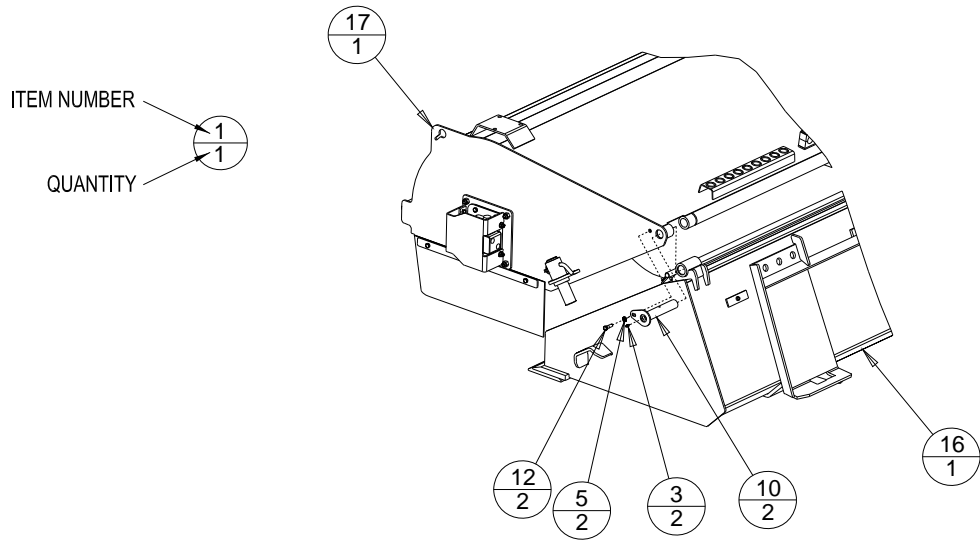


FIGURE 1.

# PICK UP BROOM SEALS AND EDGE

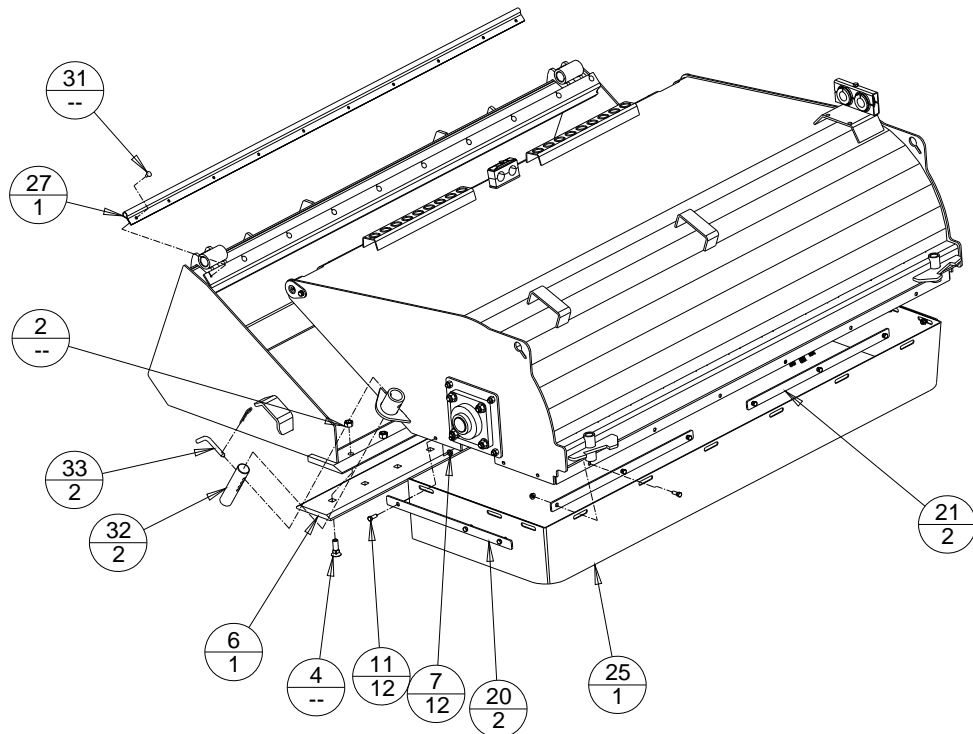


FIGURE 2.

# PICK UP BROOM CORE INSTALLATION

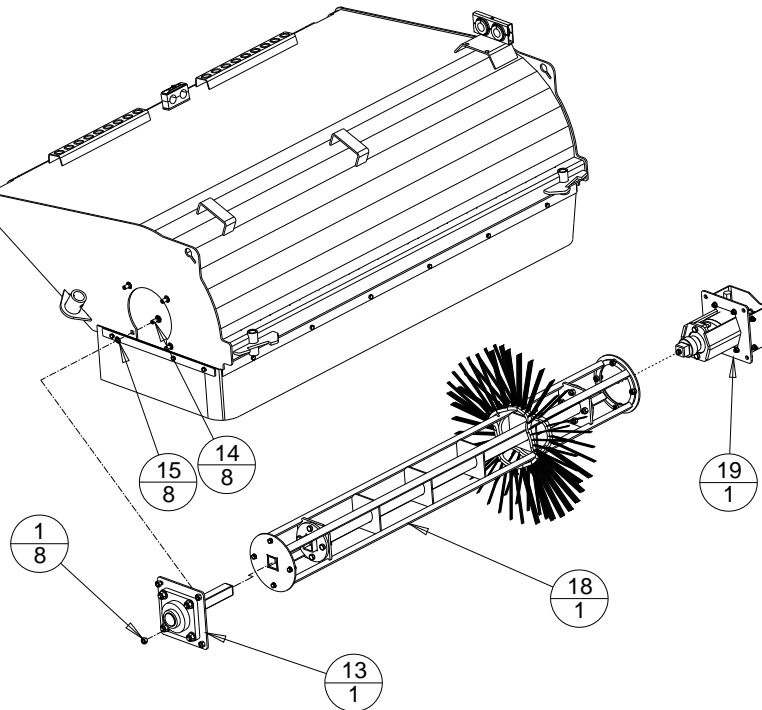


FIGURE 3.

# HYDRAULIC COMPONENT ASSEMBLY

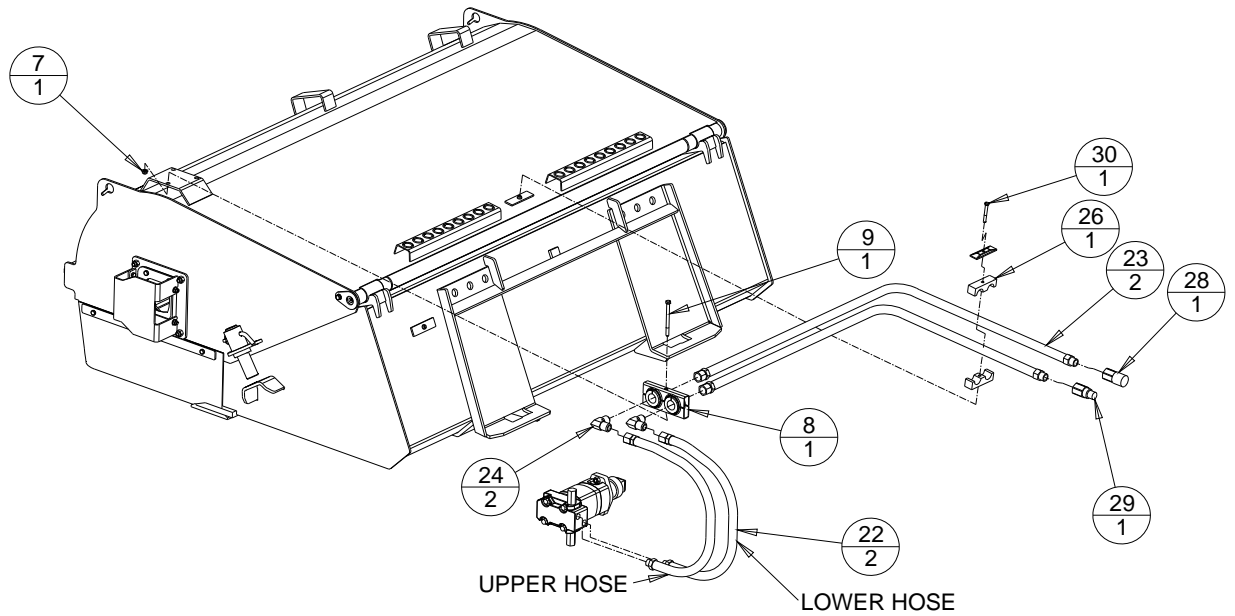


FIGURE 4.

# PICK UP BROOM CORE ASSEMBLY

ITEM	PART NO.	QTY	DESCRIPTION
1	1003PP	8	1/2" NC C-LOCK NUT
2	6140PP	8	3/8" NC FLANGE LOCK NUT
3	5226PP	8	1/2" NC X 1 1/2" LG HHCS
4	7849PP	8	3/8" NC X 1" LONG HHCS
5	7931VW	2	ANGLE BROOM ADAPTER FLANGE WELDMENT
* 6	-----	1	PICK UP BROOM CORE WELDMENT
7	8398VP	1	PICK UP BROOM CORE CAP, MOTOR END
8	Obsolete	1	PICK UP BROOM CORE CAP WELDMENT
* 9	8478PP	--	WAFER, 26" POLY
* 10	8479PP	--	WAFER, 26" STEEL

\*SEE TABLE 2

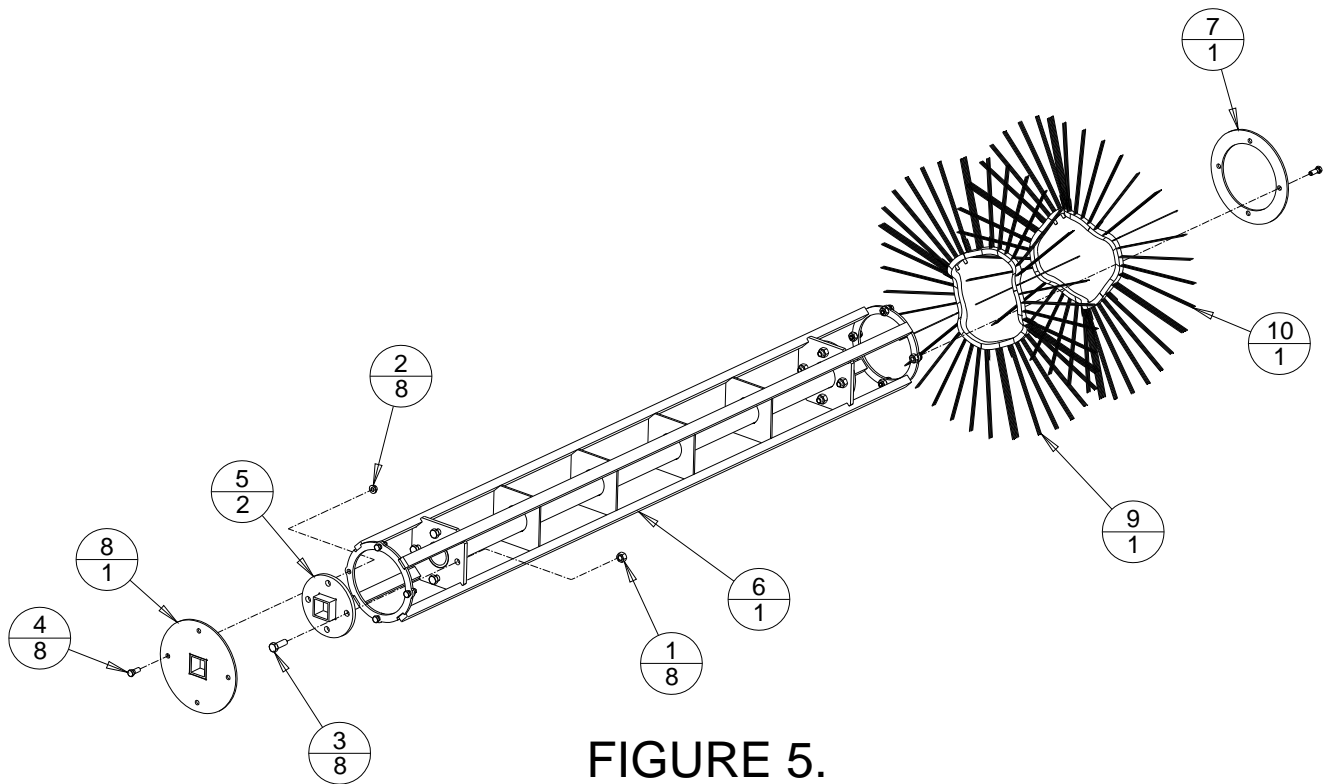


FIGURE 5.

TABLE 2

MODEL	PUB60	PUB72	PUB84
PICK UP BROOM CORE WELDMENT	10778VW* Replaces 8747VW	10736VW* Replaces 8391VW	10789VW* Replaces 8762VW
NUMBER OF POLY WAFERS	15	18	21
NUMBER OF STEEL WAFERS	14	17	20
WAFER KIT (POLY/WIRE COMBO)	PWC60	PWC72	PWC84

\* Order with part number 9107VW for backward compatibility

ALL STEEL OR POLY WAFERS AVAILABLE, PLEASE CONTACT YOUR DEALER.

# PICK UP BROOM HYDRAULIC MOTOR ASSEMBLY

ITEM	PART NO.	QTY	DESCRIPTION
1	1000PP	1	3/8" NC X 2 1/2" LG HHCS
2	1003PP	2	1/2" NC C-LOCK NUT
3	1075PP	1	3/8" LOCK WASHER
4	5225PP	2	1/2" NC X 1 3/4" LG HHCS
5	6140PP	8	3/8" NC FLANGE LOCK NUT
6	7849PP	8	3/8" NC X 1" LONG HHCS
7	9437PP	1	BROOM HYDRAULIC MOTOR (old # 7907PP)
8	7908VW	1	BROOM HYDRAULIC MOTOR DRIVE ADAPTER WELDMENT
9	8427VW	1	BROOM HYDRAULIC MOTOR MOUNT WELDMENT
10	8508VP	1	BROOM MOTOR COVER
11	8509PP	1	BROOM MOTOR RUBBER SEAL
12	8510VP	1	BROOM MOTOR RUBBER SEAL RETAINER

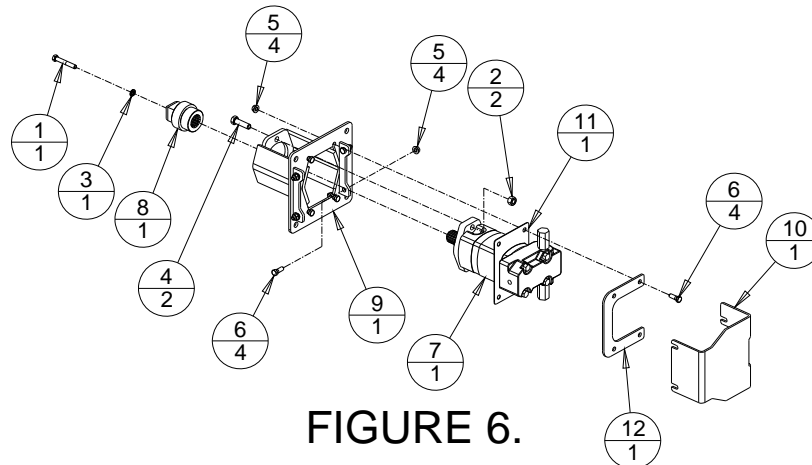


FIGURE 6.

# PICK UP BROOM SHAFT ASSEMBLY

ITEM	PART NO.	QTY	DESCRIPTION
1	1008PP	4	5/8" NC TOP LOCK HEX NUT
2	7719PP	4	5/8" NC X 2" LG HHCS
3	7773PP	1	2" BEARING WITH 4 HOLE MOUNTING FLANGE
4	7916VP	1	BROOM BEARING MOUNT PLATE
5	9107VW	1	DRUM ENGAGEMENT WELDMENT (Replaces 7917VP Broom Shaft)
6	7957PP	4	5/8" SAE FLAT WASHER

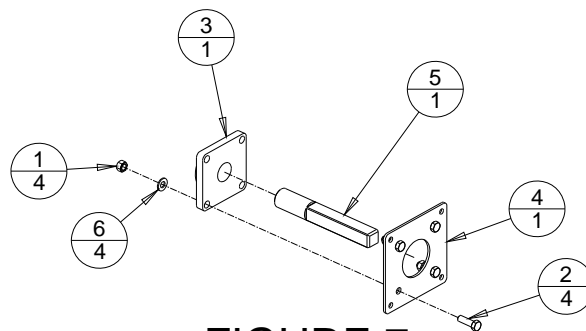


FIGURE 7.



# OPTIONAL GUTTER BRUSH ASSEMBLY

ITEM	PART NO.	QTY	DESCRIPTION
1	1003PP	2	1/2" NC C-LOCK NUT
2	1034PP	1	1/4"-28 UNF STRAIGHT GREASE FITTING
3	1083PP	1	3/8" FLAT WASHER
4	5093VP	1	HINGE PIN
5	5146PP	2	1" DIA X 10 GAGE NARROW RIM MACH BUSHING
6	5147PP	2	1" DIA HEAVY SNAP RING
7	5225PP	2	1/2" NC X 1 3/4" LG HHCS
8	6140PP	5	3/8" NC FLANGE LOCK NUT
9	6721PP	4	3/8" NC X 2 1/4" LG HHCS
10	6727PP	2	ADAPTER, 8MJ-8MB
11	6998PP	1	90° ELBOW, #6 SAE O-RING MALE TO #6 JIC MALE, LONG
12	7331PP	3	7/16" NC X 1" LG HHCS
13	7333PP	3	7/16" LOCK WASHER
14	7797PP	1	HYDRAULIC HOSE, 41 1/2" LG, BOTH ENDS #6 JIC FEMALE
15	7850PP	1	3/8" NC X 1 1/2" LONG HHCS
16	7968PP	1	7/8" X 8" HITCH PIN WITH CLIP
17	8263PP	4	ADAPTER, 12MJ-12MB
18	8264PP	2	90° ELBOW, 12MJ-12FJX
19	8404VW	1	GUTTER BROOM PIVOT WELDMENT
20	8408VW	1	GUTTER BROOM ARM WELDMENT
21	8412VW	1	GUTTER BROOM BRUSH MOUNT WELDMENT
22	8414PP	1	GUTTER BROOM BRUSH
23	8459PP	2	HYDRAULIC HOSE, 1/2" X 100", #10MB TO #8FJX
24	8464PP	1	90° ELBOW, #4 SAE O-RING MALE TO #6 JIC MALE
25	8469PP	1	GUTTER BROOM HYDRAULIC MOTOR
26	8470PP	1	GUTTER BRUSH 1/4" RETAINING WASHER
27	8471PP	1	1/4" LOCK WASHER
28	8472PP	1	1/4"-20 X 1 1/4" LONG HHCS
29	8473PP	1	GUTTERBRUSH LIFT CHAIN, 1/4"
30	8474PP	1	GUTTER BRUSH VARIABLE CONTROL VALVE
31	8679PP	3	7/16" SAE FLAT WASHER
32	1113PP	4	3/8" DIAMETER HEAVY FENDER WASHER

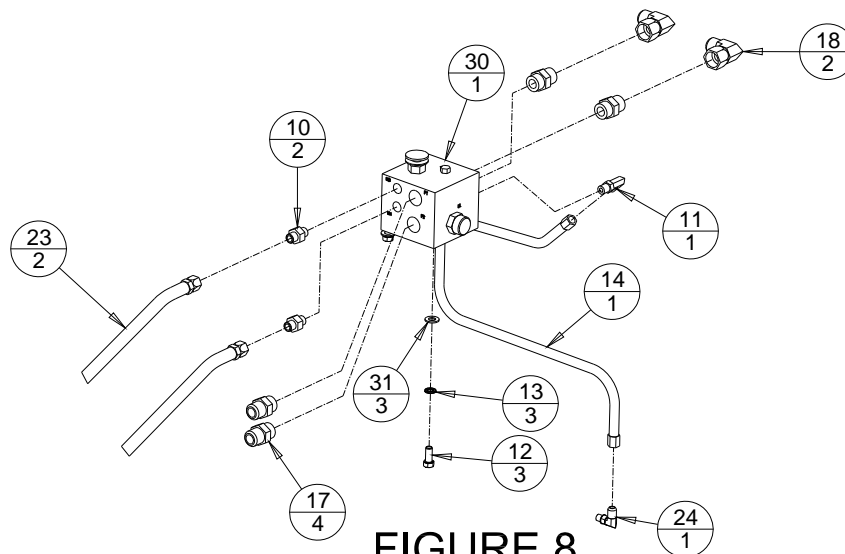


FIGURE 8.

# OPTIONAL GUTTER BRUSH ASSEMBLY (CONTINUED)

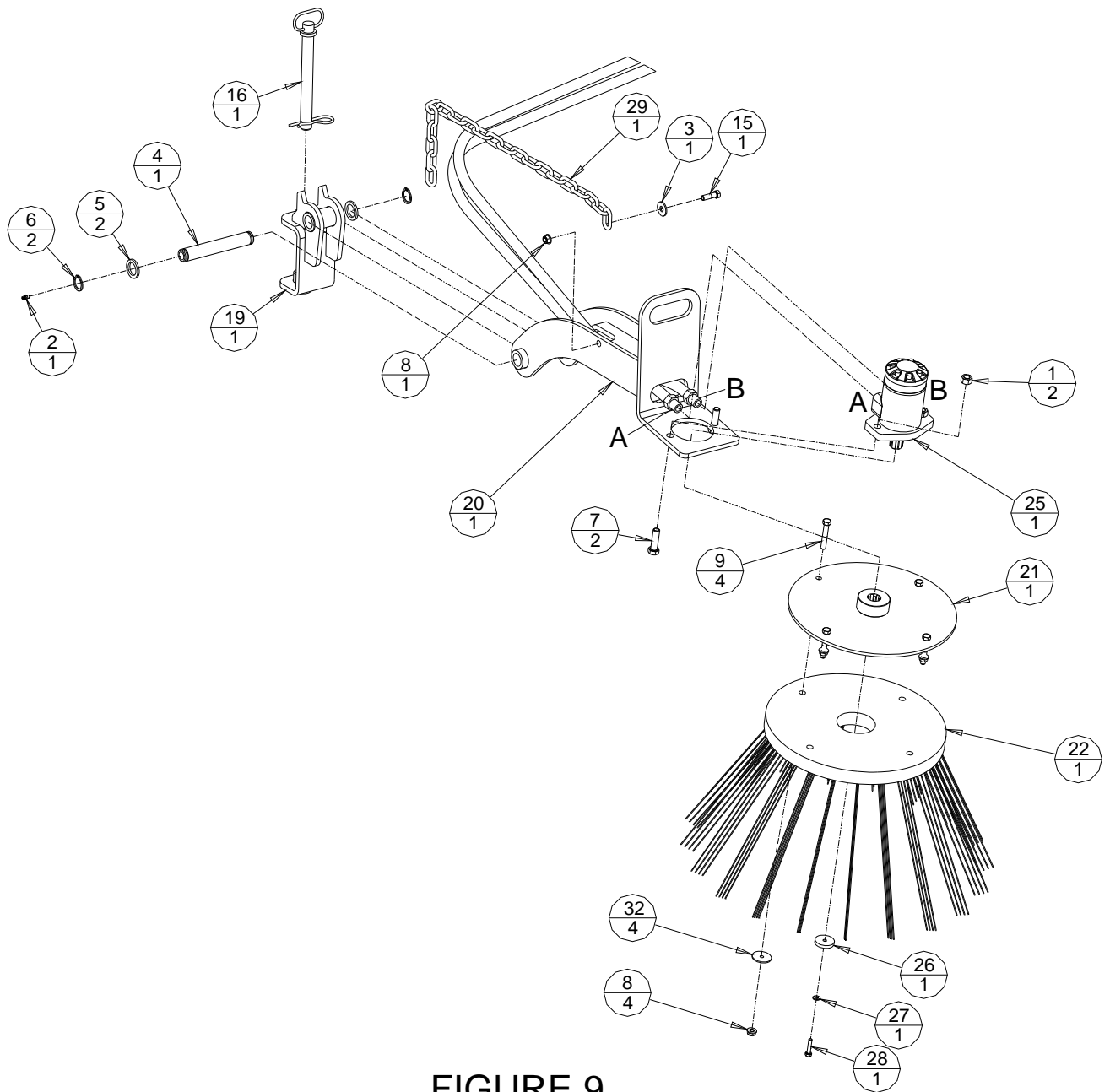


FIGURE 9.

