

Skid Pro Attachments

Phone: 877-378-4642

2/29/12
Revised 11/30/15

Pick Up Broom Optional Gutter Brush Assembly

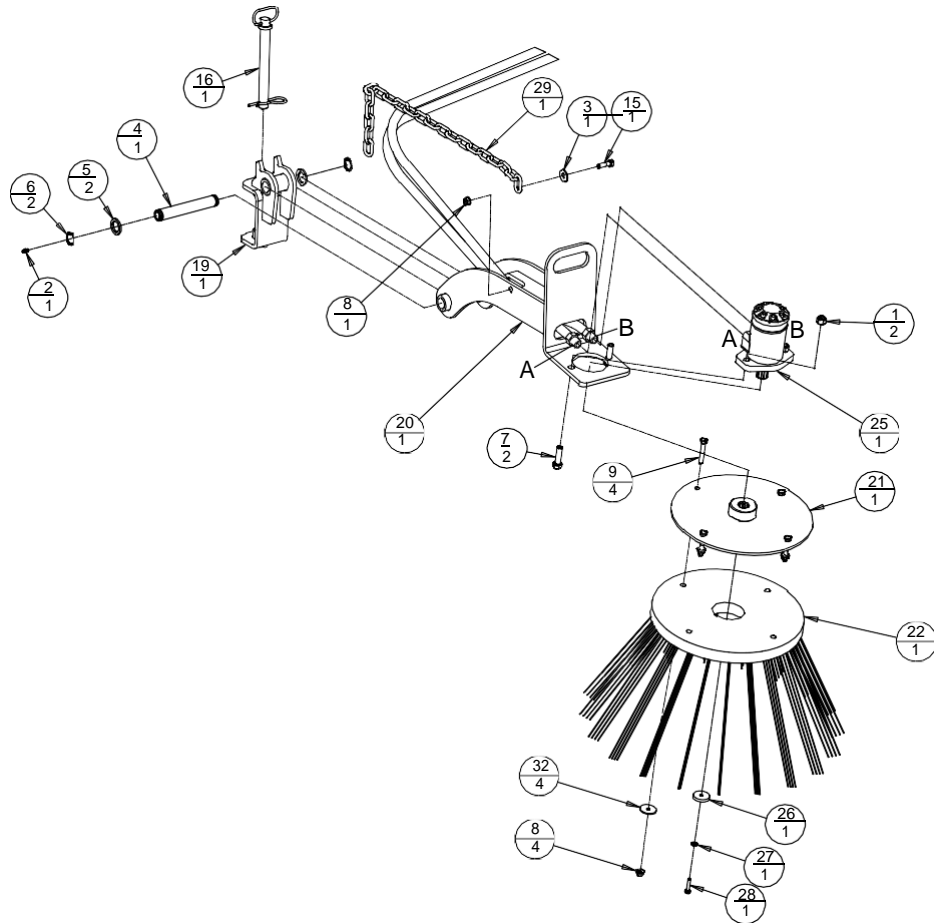


Figure 7.

Optional Gutter Brush Manifold Assembly

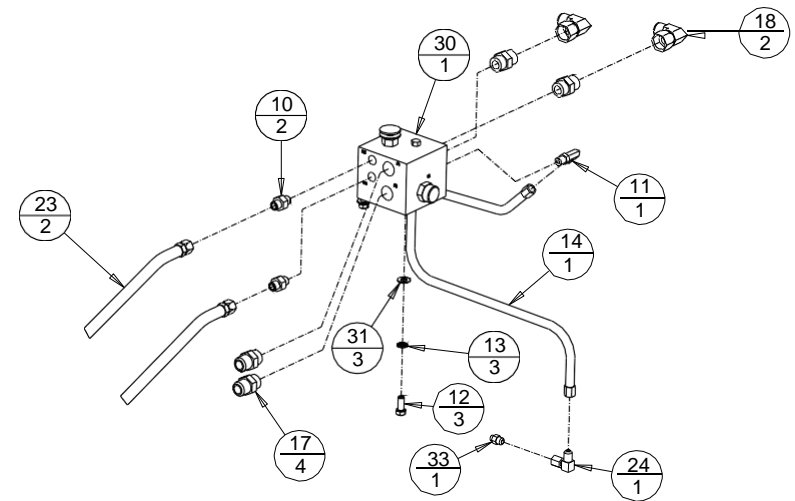


Figure 6.

Standard Gutter Brush Connections (Right Side Installation)

- Manifold port M1, lower motor port.
- Manifold port M2, upper motor port.
- Manifold port P1, male coupler.
- Manifold port P2, female coupler.
- Manifold port C, motor case drain.
- Manifold port M3, gutter brush motor port A.
- Manifold port M4, gutter brush motor port B.

Optional Gutter Brush Assembly

| ITEM | PART NO. | QTY | DESCRIPTION |
|------|----------|-----|---|
| 1 | 1003PP | 2 | 1/2"-13 REVERSE LOCK NUT |
| 2 | 1034PP | 1 | 1/4"-28 STRAIGHT GREASE ZERK |
| 3 | 1083PP | 1 | 3/8" USS FLAT WASHER |
| 4 | 5093VP | 1 | HINGE PIN |
| 5 | 5146PP | 2 | 1" X 10GA MACHINERY BUSHING |
| 6 | 5147PP | 2 | 1" EXTERNAL SNAP RING |
| 7 | 5225PP | 2 | 1/2"-13 X 1 3/4" LG HHCS |
| 8 | 6140PP | 5 | 3/8"-16 TOP LOCK FLANGE NUT |
| 9 | 6721PP | 4 | 3/8"-16 X 2 1/4" LG HHCS |
| 10 | 6727PP | 2 | ADAPTER 8MJ TO 8MB |
| 11 | 6998PP | 1 | ELBOW 90 LONG 6MJ TO 6MB |
| 12 | 7331PP | 3 | 7/16"-14 X 1" LG HHCS |
| 13 | 7333PP | 3 | 7/16" LOCK WASHER |
| 14 | 7797PP | 1 | HYD HOSE 1/4" X 41 1/2" LG 6FJX TO 6FJX |
| 15 | 7850PP | 1 | 3/8"-16 X 1 1/4" LG HHCS |
| 16 | 7968PP | 1 | 7/8" X 8" LG HITCH PIN |
| 17 | 8263PP | 4 | ADAPTER 12MJ TO 12MB |
| 18 | 8264PP | 2 | ELBOW 90 12MJ TO 12FJX |
| 19 | 8404VW | 1 | GUTTER BROOM PIVOT WELDMENT |
| 20 | 8408VW | 1 | GUTTER BROOM ARM WELDMENT |
| 21 | 8412VW | 1 | GUTTER BROOM BRUSH MOUNT WDT |
| 22 | 8414PP | 1 | GUTTER BRUSH |
| 23 | 8459PP | 2 | HYD HOSE 1/2" X 100" LG 10MB TO 8FJX |
| 24 | 1012PP | 1 | ELBOW 90 6FJX TO 6MJ |
| 25 | 8469PP | 1 | MOTOR GUTTER BRUSH |
| 26 | 8470PP | 1 | 1/4" RETAINING WASHER |
| 27 | 8471PP | 1 | 1/4" LOCK WASHER |
| 28 | 8472PP | 1 | 1/4"-20 X 1 1/4" LG HHCS |
| 29 | 8473PP | 1 | 1/4" X 42" LG CHAIN |
| 30 | 8474PP | 1 | MANIFOLD VARIABLE CONTROL |
| 31 | 8679PP | 3 | 7/16" SAE FLAT WASHER |
| 32 | 1113PP | 4 | 3/8" X 1 1/2" FENDER WASHER |
| 33 | 7984PP | 1 | ADAPTER 6MJ TO 4MB |

Optional Gutter Brush Operation

- The Gutter Brush is equipped with a variable speed valve. This allows the operator to adjust the speed of the gutter brush based on the material being swept as well as turn the Gutter Brush off if not in use. Slower speeds are recommended for heavier, denser materials, while faster speeds may be better for lighter materials.
- Use the adjustment chain provided to adjust the height of the Gutter Brush to contact the ground when the Pick-Up Broom is in the correct sweeping position.
- The Gutter Brush is to be used only when sweeping with the Pick-Up Broom moving in the forward direction. The Gutter Brush will not function if the broom is rotating in the counterclockwise (backward) direction when looking from the broom motor end of the Pick-Up Broom.
- The Gutter Brush provides an additional 12" of sweeping width and is useful when sweeping along curbs or buildings. Only the bristle tips of the gutter brush should touch the vertical surface of the curb or wall.
- If the Gutter Brush is not going to be used for a short period of time, shut the variable speed valve off and lift the brush 2-4" off of the ground using the adjustment chain.
- If the Gutter Brush is not going to be used for long periods of time, shut the variable speed valve off and secure the brush in its storage position using the adjustment chain. It is not recommended to remove the Gutter Brush from the Pick-Up Broom when not in use.

Hydraulic Component Assembly

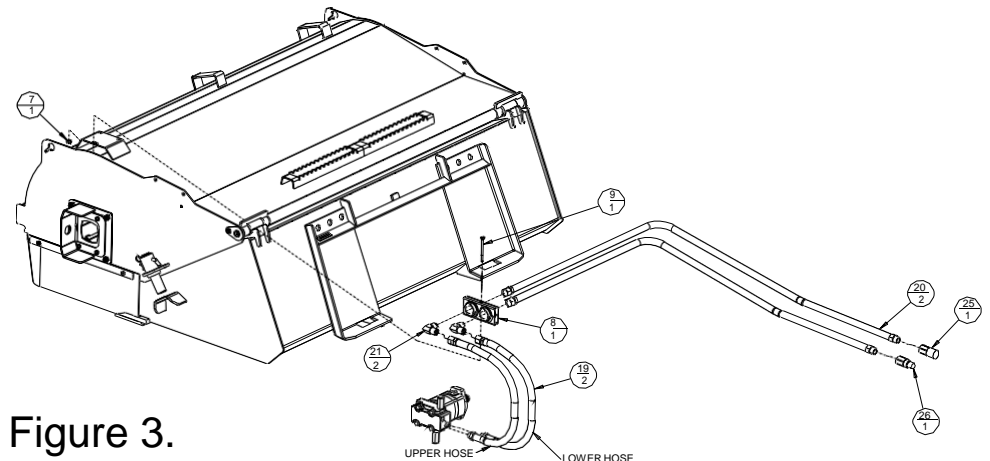


Figure 3.

Standard Coupler Assembly

- Connect female coupler to upper hose/upper motor port.
- Connect male coupler to lower hose/lower motor port.

Optional Gutter Brush Operation

- The Gutter Brush is equipped with a variable speed valve. This allows the operator to adjust the speed of the gutter brush based on the material being swept as well as turn the Gutter Brush off if not in use. Slower speeds are recommended for heavier, denser materials, while faster speeds may be better for lighter materials.
- Use the adjustment chain provided to adjust the height of the Gutter Brush to contact the ground when the Pick-Up Broom is in the correct sweeping position.
- The Gutter Brush is to be used only when sweeping with the Pick-Up Broom moving in the forward direction. The Gutter Brush will not function if the broom is rotating in the counterclockwise (backward) direction when looking from the broom motor end of the Pick-Up Broom.
- The Gutter Brush provides an additional 12" of sweeping width and is useful when sweeping along curbs or buildings. Only the bristle tips of the gutter brush should touch the vertical surface of the curb or wall.
- If the Gutter Brush is not going to be used for a short period of time, shut the variable speed valve off and lift the brush 2-4" off of the ground using the adjustment chain.
- If the Gutter Brush is not going to be used for long periods of time, shut the variable speed valve off and secure the brush in its storage position using the adjustment chain. It is not recommended to remove the Gutter Brush from the Pick-Up Broom when not in use.

Field Installation of Optional Gutter Brush

- The Gutter Brush can be installed on either the right or left hand side of the Pick Up Broom. Care needs to be taken when connecting the Gutter Brush hydraulic lines to the valve block.
- Make sure machine is shut off and hydraulic pressure has been relieved.
- Disconnect hydraulic lines from the machine if not already done.
- Remove 3/8" nut (Item #7) and bolt (Item #9) holding the hose clamp (Item #8) on left hand side (as seated in machine) of broom and remove hose clamp (see Figure 3). These items will not be used for the Gutter Brush installation.
- Install valve block (Item #30, see Figure 6) on valve mounting bracket (same bracket the hose clamp was removed from in previous step) with hardware provided (Items #12, #13 and #31).
- Install Gutter Brush on desired side of Pick-Up Broom using the 7/8" hitch pin provided (Item #16, see Figure 7). Secure Gutter Brush with adjustment chain provided.

Field Installation of Optional Gutter Brush (cont.)

- Remove 90° elbows (Item #21, See Figure 3) connecting the lead hoses (Item #20) to the motor hoses (Item #19). Take note of which lead hose and coupler connects with which motor hose. These elbows will no longer be used. To minimize loss of hydraulic oil, lay coupler ends of hoses on the ground and hold elbows over drain pan when disconnecting.
- Connect the lower motor hose (see Figure 3) to port "M1" on the valve block and the upper motor hose to port "M2".
- Remove the case drain plug on the Pick-Up Broom hydraulic motor (located on the opposite side of the motor from the hose ports) and install the small straight adapter and 90° swivel elbow (Items #33 and #24, see Figure 6) and connect the case drain hose (Item #14) that is attached to the valve block. Secure case drain hose to motor hoses with zip ties (not shown).
- Connect the lead hose that was connected to the lower motor hose to port "P1" on the valve block and the lead hose that was connected to the upper motor hose to port "P2" on the valve block.
- If the Gutter Brush is mounted on the right side of the Pick-Up Broom, route the hoses through the hose guides and connect Gutter Brush hose "A" (see Figure 7) to port "M3" on valve block and Gutter Brush hose "B" to port "M4".
- If the Gutter Brush is mounted on the left side of the Pick-Up Broom, route the hoses through the center hose guide and connect Gutter Brush hose "A" (see Figure 7) to port "M4" on the valve block and Gutter Brush hose "B" to port "M3".
- After all hose connections have been tightened, connect the broom hydraulics to the loader and test run. With the Pick-Up Broom spinning in the clockwise direction when looking from the motor end, the Gutter Brush should be spinning such that it would be throwing material in front of the Pick-Up Broom. You may have to turn the control knob on top of the valve out if the Gutter Brush is not spinning.
- If the Gutter Brush does not spin with the Pick-Up Broom spinning in the clockwise direction, then the gutter brush hoses probably need to be switched. To verify this, run the broom in the reverse direction, if the gutter brush spins, the gutter brush hoses need to be switched.
- Call Skid Pro at 1-877-378-4642 with any installation questions.

Warranty

Skid Pro products are warranted to be free from defects, in workmanship, for one year from the end users date of purchase.

Purchased components on Skid Pro products are subject to the warranty of original Manufacturer.

This warranty is void on products that have been Modified or Repaired without the prior consent of Skid Pro.

Skid Pro does not warrant damage from misuse, accidents, or negligence nor damage to machine or surrounding environment.

Claims are limited to replacement parts and a reasonable labor amount. This warranty does not cover service mileage, downtime, or replacement of attachment.

Upon request for warranty claim an RGA number will be assigned and replacement parts sent prepaid ground freight and invoiced. Defective parts need to be returned prepaid to Skid Pro for warranty consideration. Upon inspection, account will be credited for defective part.

Please call Skid Pro at 877-378-4642 with any questions regarding warranty.