

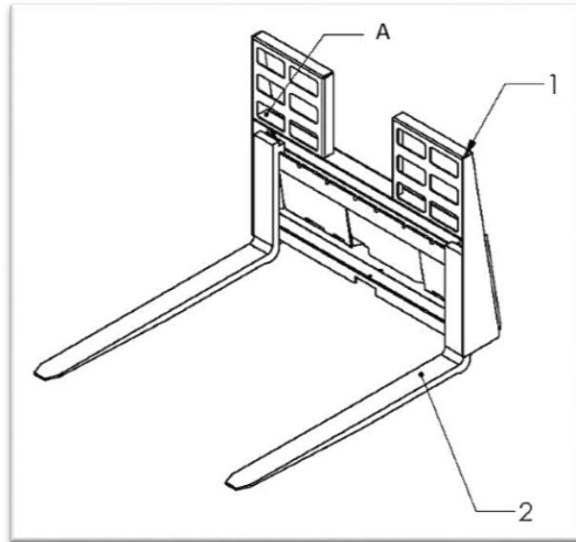
PALLET FORK PARTS

Introduction

All parts are illustrated in "exploded views" which show the individual parts in the normal relationship to each other. Reference numbers are used in the illustrations. These numbers correspond to those in the "Item No." column, and are followed by the description and quantity required.

The manufacturer reserves the right to change, modify, or eliminate from time to time, for technical or other reasons, certain or all data, specifications, or the product or products themselves, without any liability or obligation.

Pallet Fork Assembly - Diagram A



Pallet Fork Assembly - Parts List A

ITEM NO.	PART NUMBER	DESCRIPTION	QTY.
1	632-1-2050	Fork Backer	1
2	AU-02-0001-42	42" Fork Tine	2
2	AU-02-0001-48	48" Fork Tine	2
2	AU-02-0001-60	60" Fork Tine	2
3	AU-02-0010	Fork Catch	2
A	Decals-3-0024	Serial Number	1