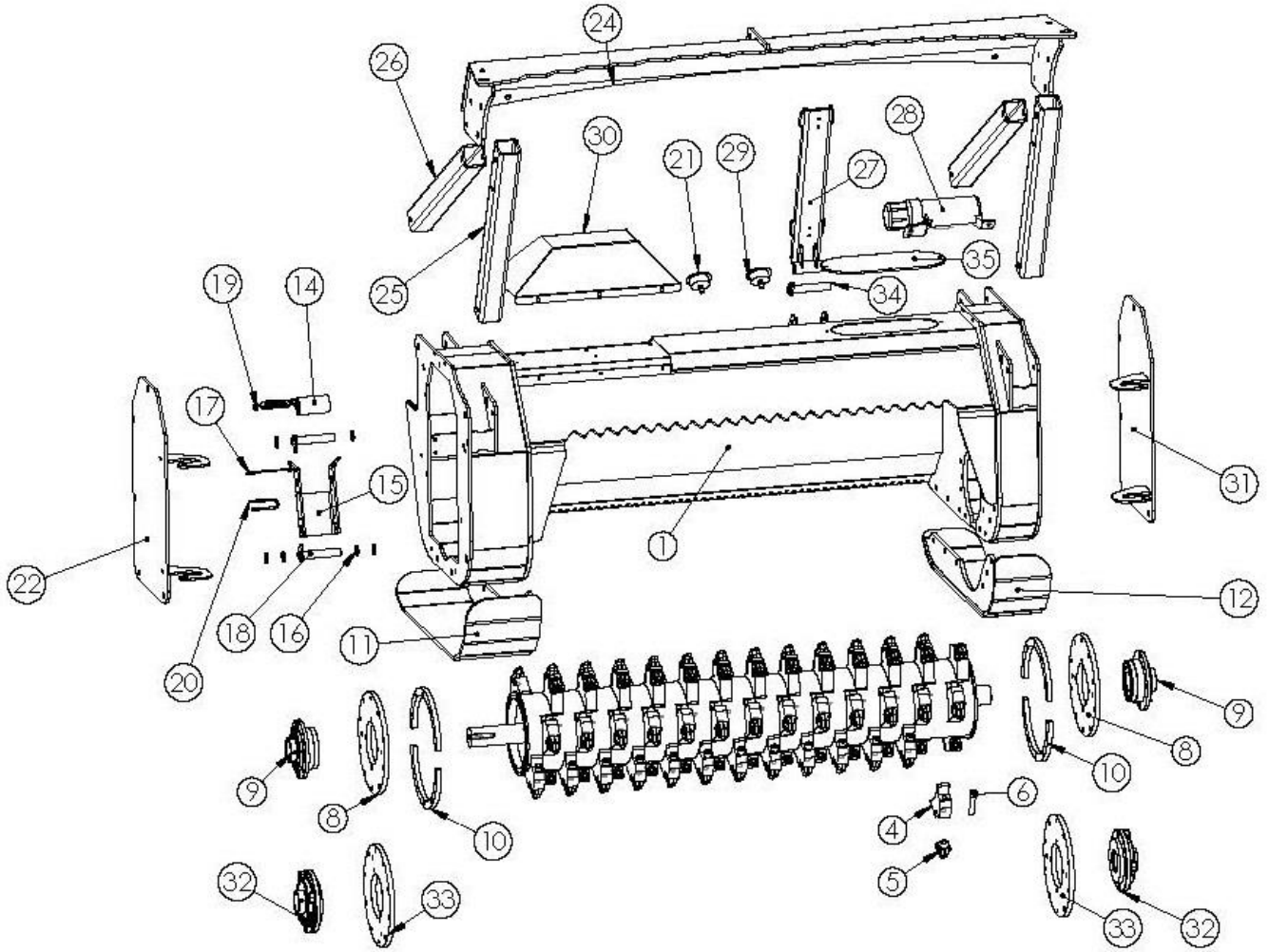


MULCHER QA9200 SERIES PARTS BREAKDOWN



MULCHER QA9200 SERIES PARTS BREAKDOWN

ITEM #	PART #	DESCRIPTION	QTY.
1	D001704	Main frame	1
2	D001689	700 Series 60" Rotor	1
3	D001686	700 Series Holder and Tooth Assembly	78
4	D001671	King Tooth Holder 44-50W	1
5	R7000	700 Series Ripper Style Tooth	1
6		Socket Head Cap Screw	1
7	D001730	Bearing Holder	2
8	D002140	Roller Bearing Flange (iMS760-1)	1
9	D001701	Replacement 2.5" Bearing for Rotor Shaft (7 series) USFC5000-208	1
10	D002141	Bearing Flange (iMS760-5)	2
11	D002167	Right Ski	1
12	D002166	Left Ski	1
13	D001002	Belt Tightener	1
14	D001277	Wide Idler with Bearings	1
15	D001074	Idler Arm	1
16	D001073	.125 Washer	6
17	D001617	Cross Lock Plate	1
18	D001620	Greaseless Flange Pin 1"	2
19	D001846	Turn Buckle 5/16 x 9 for Belt Tightener	1
20	D001883	U-Bolt 1/4 x 3 for Belt Tightener	1
21	D001245	1,000 psi Panel Mount 1/4 NPT Pressure Gauge	1
22	D001728	Door Assembly	1
23	D001713	Pusher Assembly with Tubing	1
24	D001714	Top Pusher MF760	1
25	D001713-10	Pusher Tube	2
26	D001713-11	Pusher Tube	2
27	D001731	Hose Support for iMS760	1
28	Z96503	Manual Tube 3-1/2 Short	1
29	H2101	4,000 psi Panel Mount 1/4 NPT Pressure Gauge	1
30	D002159	Motor Cap	1
31	D002165	Door Assembly	1
32	D001940	UCFC2 5 Ball Bearing	2
33	D001942	Bearing Flange for Ball Bearings	2
34	D001620	Greaseless Flange Pin 1"	1
35	iMS760-45	Main Frame	1