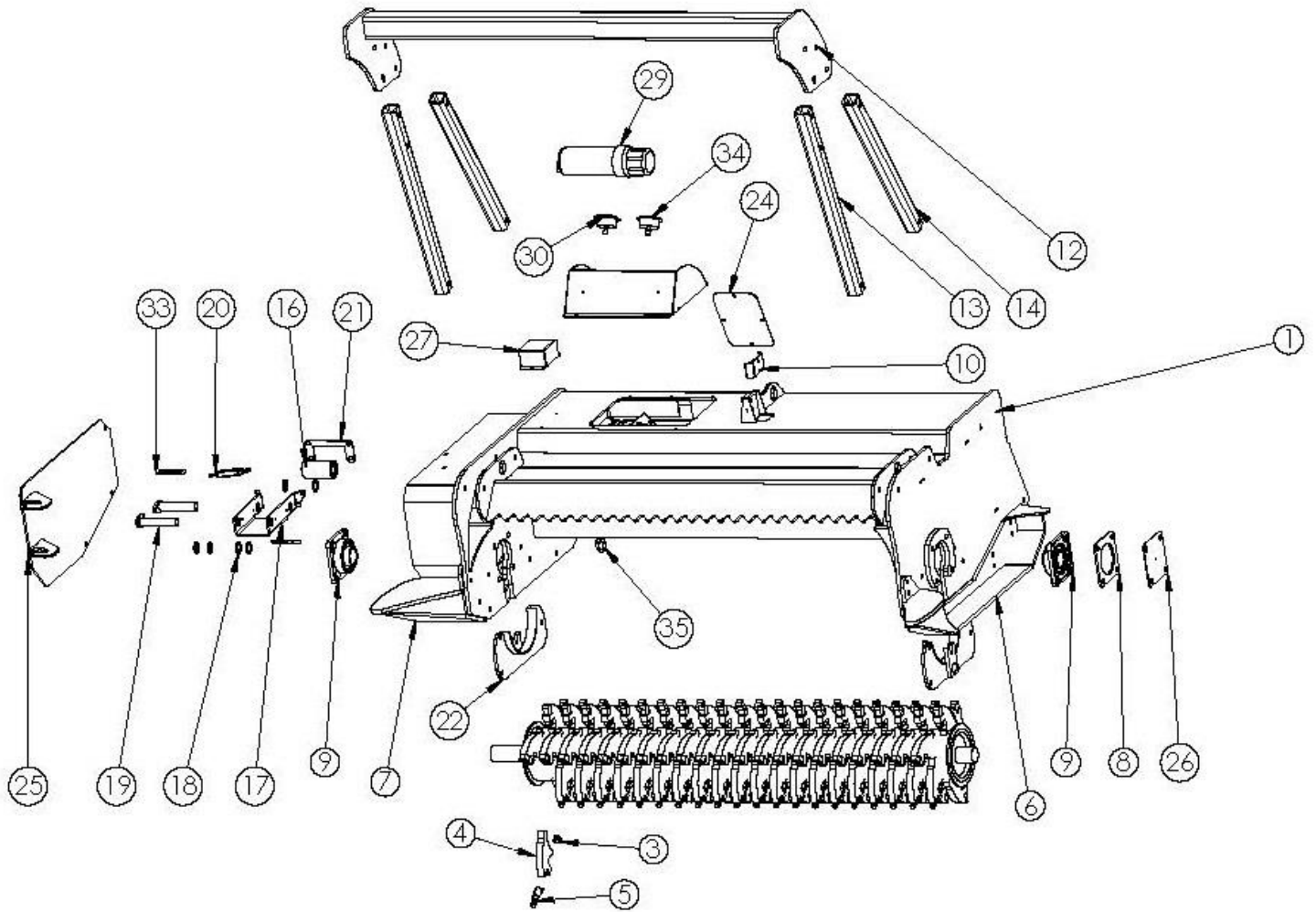


MULCHER QA8200 SERIES PARTS BREAKDOWN



MULCHER QA8200 SERIES PARTS BREAKDOWN

ITEM NO.	PART NUMBER	DESCRIPTION	QTY.
1	D001226	Main Weldment	1
2	D001081	500 Series 60" Rotor	1
3	D001773	Tooth Nut	126
4	D001343	5000 Series Tooth Holder (Weld-on)	126
5	P5000	V-Slash 5/8" Threaded Mulcher Tooth	126
6	M2036	Left Ski 760	1
7	M2035	Right Ski 760	1
8	MS560-1	Bearing Cover Spacer	1
9	D001344	4 Blot 210 Flange Black Ductile	2
10	D001160	Hose Clamp Plate	1
11	M2041	Pusher Assembly with Tubing	1
12	M2042	Top Pusher MF760	1
13	Z2012	Pusher Tube	2
14	Z2009	Pusher Tube	2
15	D001002	Belt Tightener	1
16	D001277	Wide Idler with Bearings	1
17	D001074	Idler Arm	1
18	D001073	.125 Washer	6
19	D001620	Greaseless Flange Pin 1"	2
20	D001846	Turn Buckle 5/16 x 9 for Belt Tightener	1
21	D001617	Cross Lock Plate	1
22	D001067	Wire Guard Holder	1
23	D001028	1 x 5" Flange Pin	1
24	MS560-49	Motor Shed door	1
25	D001508	Door Assembly	1
26	MS560-62	Bearing Cover	1
27	D001630	6-pack Holder	1
28	D001511	Pressure gage Assembly	1
29	Z96503	Manual Tube 3-1/2 Short	1
30	D001245	1,000 psi Panel Mount 1/4 NPT Pressure Gauge	1
31	MS560-25	Motor Cover	1
32	MS560-27	Gauge Side Plates	2
33	D001883	U-Bolt 1/4 x 3 for Belt Tightener	1
34	H2101	4,000 psi Panel Mount 1/4 NPT Pressure Gauge	1
35	D002129	6 Link Chain	1