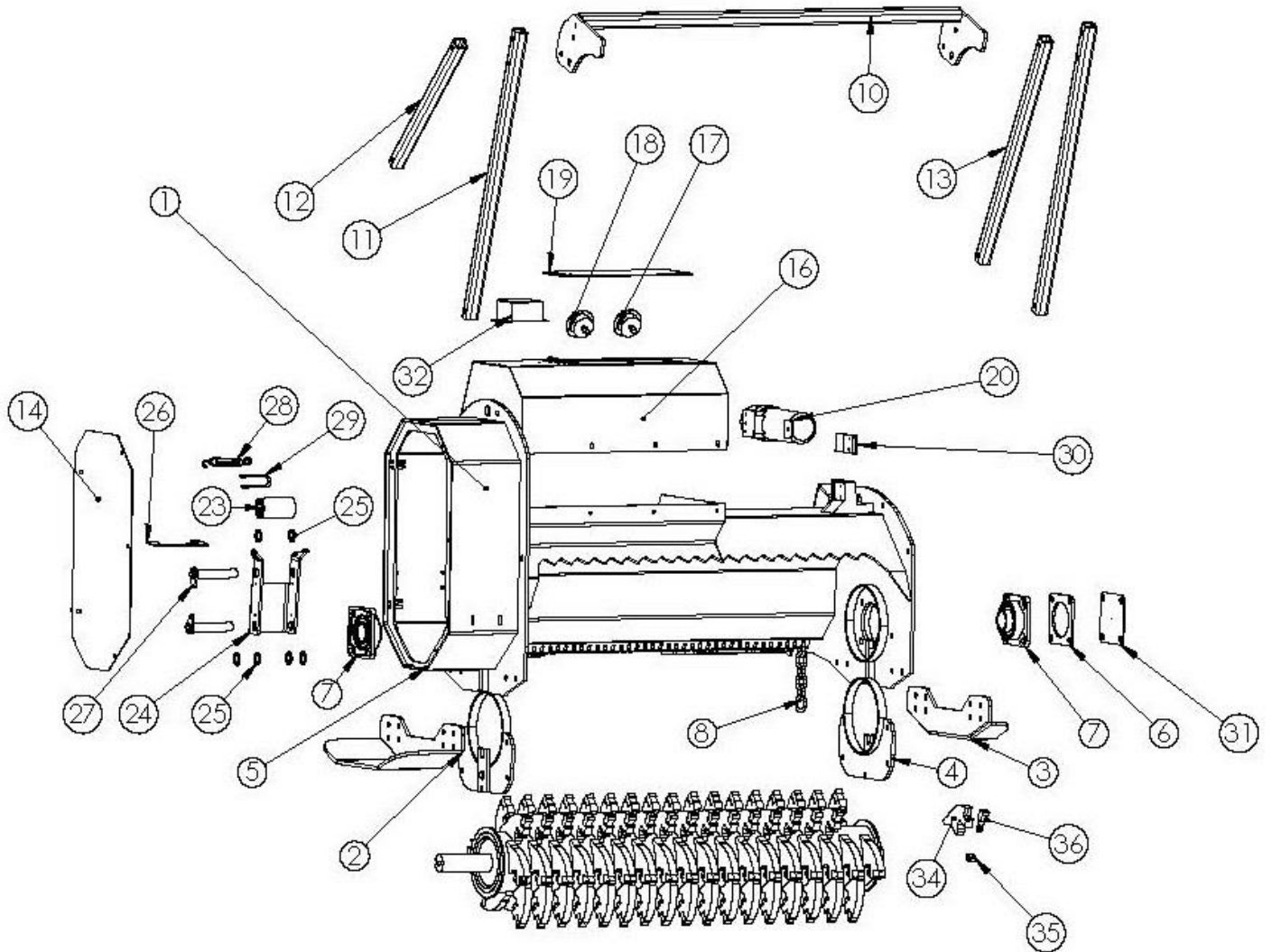


# MULCHER QA6200 SERIES PARTS BREAKDOWN



## MULCHER QA6200 SERIES PARTS BREAKDOWN

ITEM NO.	PART NUMBER	DESCRIPTION	QTY.
1	D001079	MF548 Frame (ref A2)	1
2	M2048	Right Ski	1
3	M2046	Left Ski	1
4	M2050	Wire Guard Holder	2
5	MS548-33	Dirt Cover	1
6	MS548-35	Bearing Cover	1
7	D001344	4 Blot 210 Flange Black Ductile	2
8	D002129	6 Link Chain	1
9	D001229	MF548 Pusher Bar Assembly	1
10	M2049	Top Pusher Assembly	1
11	D001077	Pusher Tube	2
12	D001117	Pusher Tube	1
13	D001116	Pusher Tube	1
14	D001083	Door Assembly	1
15	D001078	Motor Cover	1
16	D001376	MF548 Motor Shield	1
17	H2119	1,000 psi Panel Mount 1/4 NPT Pressure Gauge	1
18	D001245	1,000 psi Panel Mount 1/4 NPT Pressure Gauge	1
19	MS548-79	Motor Shed Door	1
20	Z96503	Manual Tube 3-1/2 Short	1
21	MS548-1	Door Hinge Filler Plate	2
22	D001002	Belt Tightener	1
23	D001277	Wide Idler with Bearings	1
24	D001074	Idler Arm	1
25	D001073	.125 Washer	6
26	D001617	Cross Lock Plate	1
27	D001620	Greaseless Flange Pin 1"	2
28	D001846	Turn Buckle 5/16 x 9 for Belt Tightener	1
29	D001883	U-Bolt 1/4 x 3 for Belt Tightener	1
30	D001160	Hose Clamp Plate	2
31	MS548-29	Bearing Cover	1
32	D001630	6-pack Holder	1
33	D001014	500 Series 48" Rotor	1
34	D001343	50 W Mulcher Tooth Holder for P5000 Tooth	104
35	D001773	Tooth Nut	104
36	P5000	V-Slash 5/8" Threaded Mulcher Tooth	104