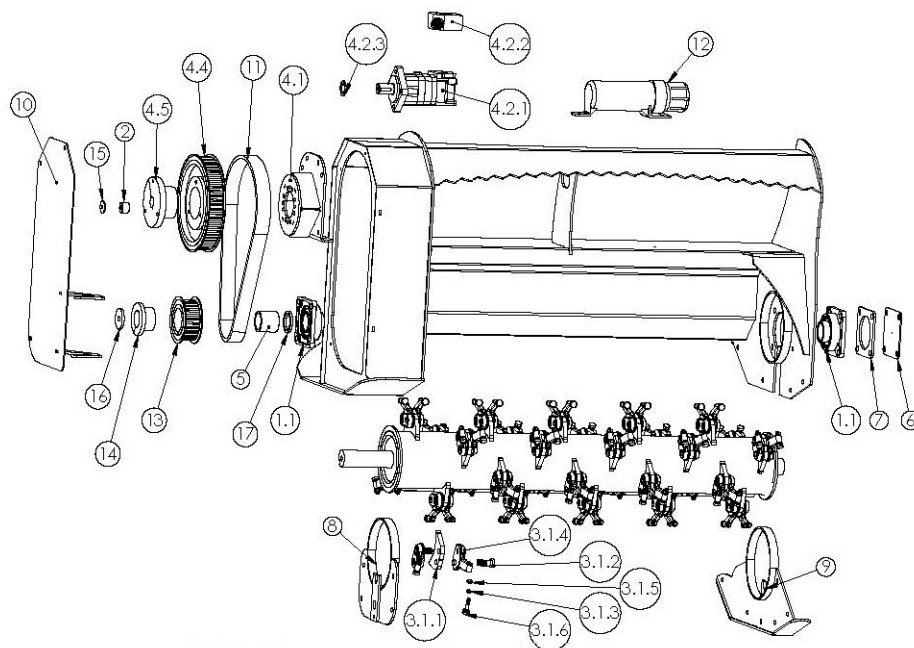


MULCHER QA4205 PARTS BREAKDOWN



ITEM NO.	PART NUMBER	DESCRIPTION	QTY.
1	D001635	Main MF448 Weldment	1
1.1	D001344	4 Blot 210 Flange Black Ductile	2
2	D001638	Shaft Extender	1
3	D001633	300 Series 48" Rotor	1
3.1	D001632	300 Series Double Tooth Cluster (Complete Single Set)	30
3.1.1	D001676	Base Green Tooth Holder	1
3.1.2	D001775	5/8 Bolt for Green Tooth Holder D001679	2
3.1.3	D001678	3/8" Green Tooth Tapered Bushing	2
3.1.4	D001679	Green Tooth Holder Reversible	2
3.1.5	D001625	3/8" Nut	2
3.1.6	G3000	3/8" Green Tooth	2
3.2	D001114	48" Rotor Pipe	1
3.3	D001467	Weld in Drum Drive Shaft with Keyway	1
3.4	D001466	Weld in Drum Stub Shaft (500 Series)	1
3.5	D001468	Weld in Bushing (500 Series)	2
3.6	D001118	Anti-Wire Guard	2
4	D001637	Motor Assembly	1
4.1	MS348-2	A-Motor Mount	1
4.2	D004149	Complete Hydraulic Motor with Relief Block – A-Mount	1
4.2.1	D004147	Hydraulic Motor for A-Mount Options	1
4.2.2	D004148	Complete Relief Block for A-Mount Motor	1
4.2.3	D001374	Cat Motor Spacer 1.25" Shaft	1
4.3	MS348-7	Motor Back Plate	1
4.4	D001796	Pulley 40 mm Timer for Big Side On 3 Series (P64-14M-40-E)	1
4.5	D001804	Ex1-1/4 Hub	1
5	D001085	Hub Spacer For 2" Rotor Shaft	1
6	MS348-10	Bearing Cover	1
7	MS348-12	Bearing Cover	1
8	D001640	Right Wire Guard	1
9	D001641	Left Wire Guard	1
10	D001642	Door Assembly	1
11	D001807	Belt 40x1400mm Timer for A450 Motor in 300 Series and Down	1
12	D001413-Z96503	Manual Tube 3-1/2 Short	1
13	D001797	Pulley 40 mm Timer for Small Side On 3 Series (P28-14M-40-SK)	1
14	B2008	Small Hub 2 Bore	1
15	D001871	A450 Motor End Washer	1
16	D001361	Rotor Shaft Washer	1
17	D001345	2" Pulley Spacer	1