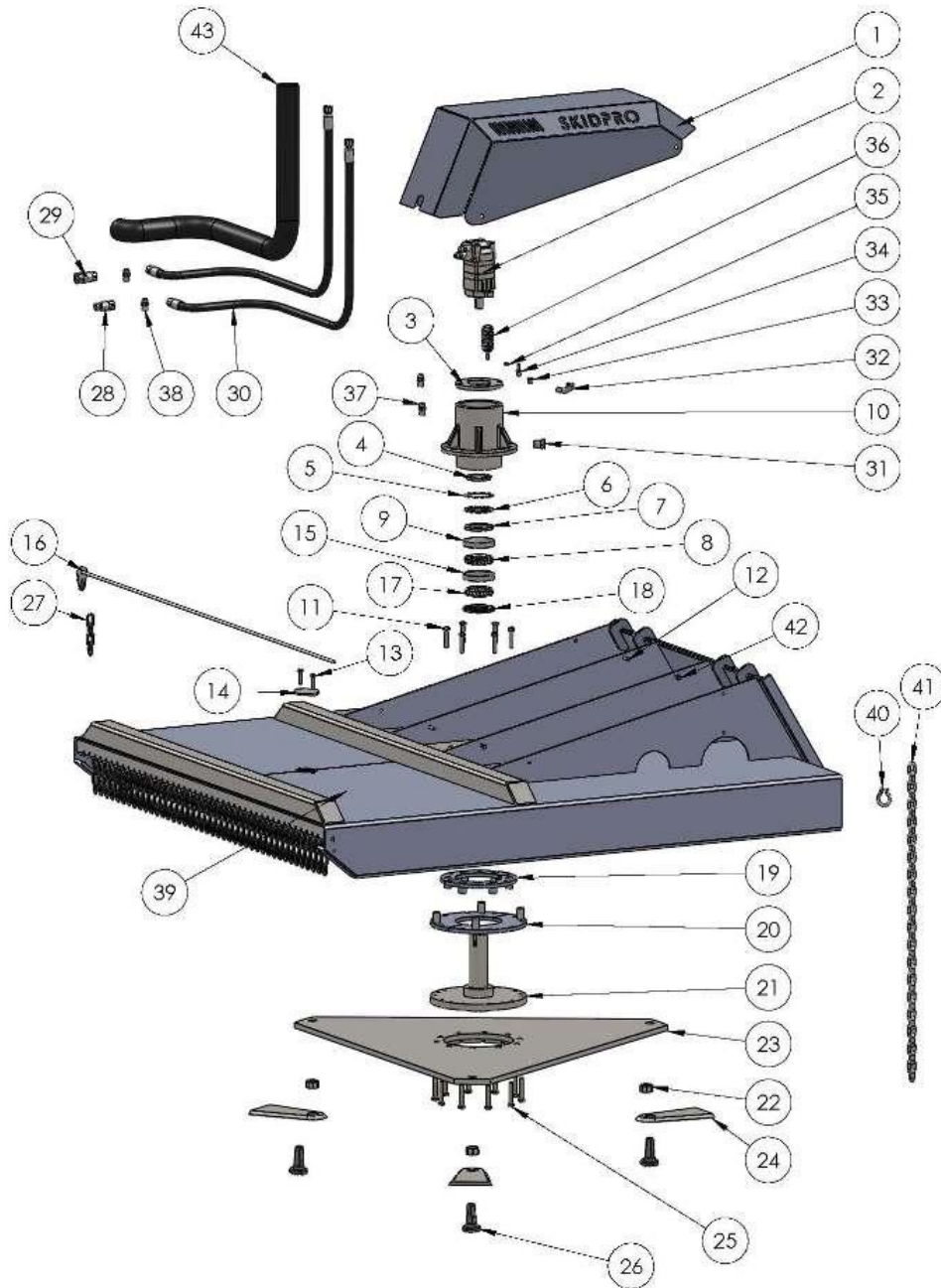


# DETAILED PARTS DIAGRAM



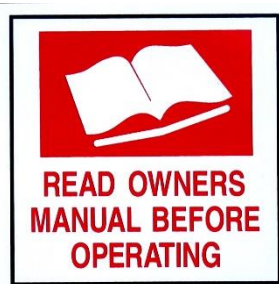
## BRUSH MOWER PARTS LIST

No.	Description	Size	Part #	Qty.
1	Motor cover for 60" Brush Mower	.125 x 16.3x 37.25 x14.7	24-0100	1
1	Motor cover for 72" Brush Mower	.125 x16.3 x 45 x 15.6	24-0101	1
2	Motor for 60" Brush Mower	>19 GPM 6.2	100-BNW	1
2	Motor for 72" Brush Mower	<20 GPM 9.8	160-BNW	1
3	Motor Plate for Brush Mower	.5 x 6.5"	24-0102	1
4	Top Nut for Brush Mower Axle Assembly	2-5/8"-16	BWP M-684	1
5	Lock star for Brush Mower Axle Assembly	.055" T x 4.25" Dia.	24-0103	1
6	Lock Ring for Brush Mower Axle Assembly	3.8" OD x 2.66" ID x 3/16"	BWP M-683	1
7	Bottom Nut for Brush Mower Axle Assembly	2-5/8"-16	BWP M-682	1
8	Top Bearing for Brush Mower Axle Assembly	2.625" ID x 1.5" W	HM 212049	1
9	Top Race for Brush Mower Housing Assembly	4.8125" OD x 1.17" W	HM 212010	1
10	Housing for Brush Mower	10.5" Dia. X 8.65" L	24-0104	1
11	1/2-13 x 2-1/2" Grade 8 HHCS w/ Stover Nut	1/2-13 x 2-1/2"	50C250HCS8Y	5
12	3/8-16 x 1 " flange bolt	3/8-16 x 1"	37C100HFB5Z	5
13	3/8" Flange Self Tap Bolt	3/8-16 x 1"	37100MTH0Z/F	2
14	Access Cover for Blade Bolts	1/4" x 4.8" x2.5"	24-0105	1
15	Bottom Race for Brush Mower Housing Assembly	4.8125" OD x 1.17" W	HM 212010	1
16	Chain Bar for 60" Brush Mower	3/8" Dia. X 65-1/4" L	24-0106	1
16	Chain Bar for 72" Brush Mower	3/8" Dia. X 75-1/4" L	24-0107	1
17	Bottom Bearing for Brush Mower Axle Assembly	2.625" ID x 1.5" W	HM 212049	1
18	Seal for Bottom of Brush Mower Housing	4.875" OD x4" ID x .627"	415187	1
19	Top Wire Guard for Brush Mower (2 pc)	.5 x 13.25 x13.75	24-0108	1
20	Bottom Wire Guard for Brush Mower (2 pc)	.5 x13.25 x11.125	24-0109	1
21	Axle for Brush Mower	13.25" Dia x 11.125" T	24-0110	1
22	1-1/8"-12 Stover Nut for Blade Bolt	1-1/8"-12	112ENST0Z	2
23	Blade Carrier for 60" Brush Mower	1/2" T x 18" W x31" L	203041-60	1
23	Blade Carrier for 72" Brush Mower	1/2" T x 18.5" W x45" L	203041-72	1
24	Blade for Brush Mower (Flat)	4" W x 19" L	2231	2
25	1/2-13 x 2-1/2" Grade 8 HHCS Full Thread w/Stover Nut	1/2" Dia x 2-1/2" L	SOC250BTA8Y	10
26	Blade Bolt for Brush Mower Blades	1-1/8" Dia x # " L	BB10	2
27	4 Chain Links for Guard on Front of 60" Brush Mower	5/16"	BC Guard Chain	35
27	4 Chain Links for Guard on Front of 72" Brush Mower	5/16"	BC Guard Chain	43
28	Male Flat Face Quick Connect Coupler	# 12 O-ring	FEM 501-12FO	1
29	Female Flat Face Quick Connect Coupler	# 12 O-ring	FEM 502-12FONL	1
30	BC Machine Hose Assembly 2- 10671-12-12 fittings & 721TC-12 Hose	3/4" Dia x 108" L	BC Machine Hose	2
31	Site Glass - Gear Oil Level in Brush Mower Housing	3/4" thread	IHI-LSW-12	1
32	3/8" 90 Degree Street Elbow for Brush Mower Housing	3/8" Male to 3/8" Female	62148796	1

33	3/8" to 1/4" Reducing Bushing	3/8" Male to 1/4" Female	209P-6-4	1
34	1/4" Male pipe to 1/4" Barbed Fitting	1/4" Male to 1/4" Barb	125HBL-4-4	1
35	10 MM Oetiker Clamp for Bellow	10 MM	10100016	1
36	Bellow for Housing	1/4" Dia x	IHI-LF-SS Bellows	1
37	#10 O-ring to # 12 JIC Coupler	#10 O-ring to #12 JIC	12-10-F5OX-S	2
38	#12 O-ring to # 12 JIC Coupler	#12 O-ring to #12 JIC	12-F5OX-S	2
39	Deck for 60" Brush Mower	62-1/8" x 68 x 23-1/2"	00201-060	1
	Deck for 72" Brush Mower	74-1/8" x 81 x 23-1/2"	00201-072	1
40	5/16" Shackle for Safety Chain	5/16"	BC Shackle	1
41	Safety Chain for Brush Mower	96" Long	BC Safety Chain	1
42	3/8" 3 Point Prog Long Pilot Weld Nut	3/8-16"	37CNW30P/SHP	6
43	Brush Mower Machine Hose Protective Sleeve	48" Long	LFG-36	1

## WARNING DECALS

Warning Decal 1



Warning Decal 2



Warning Decal 3



Warning Decal 4



Warning Decal 5

