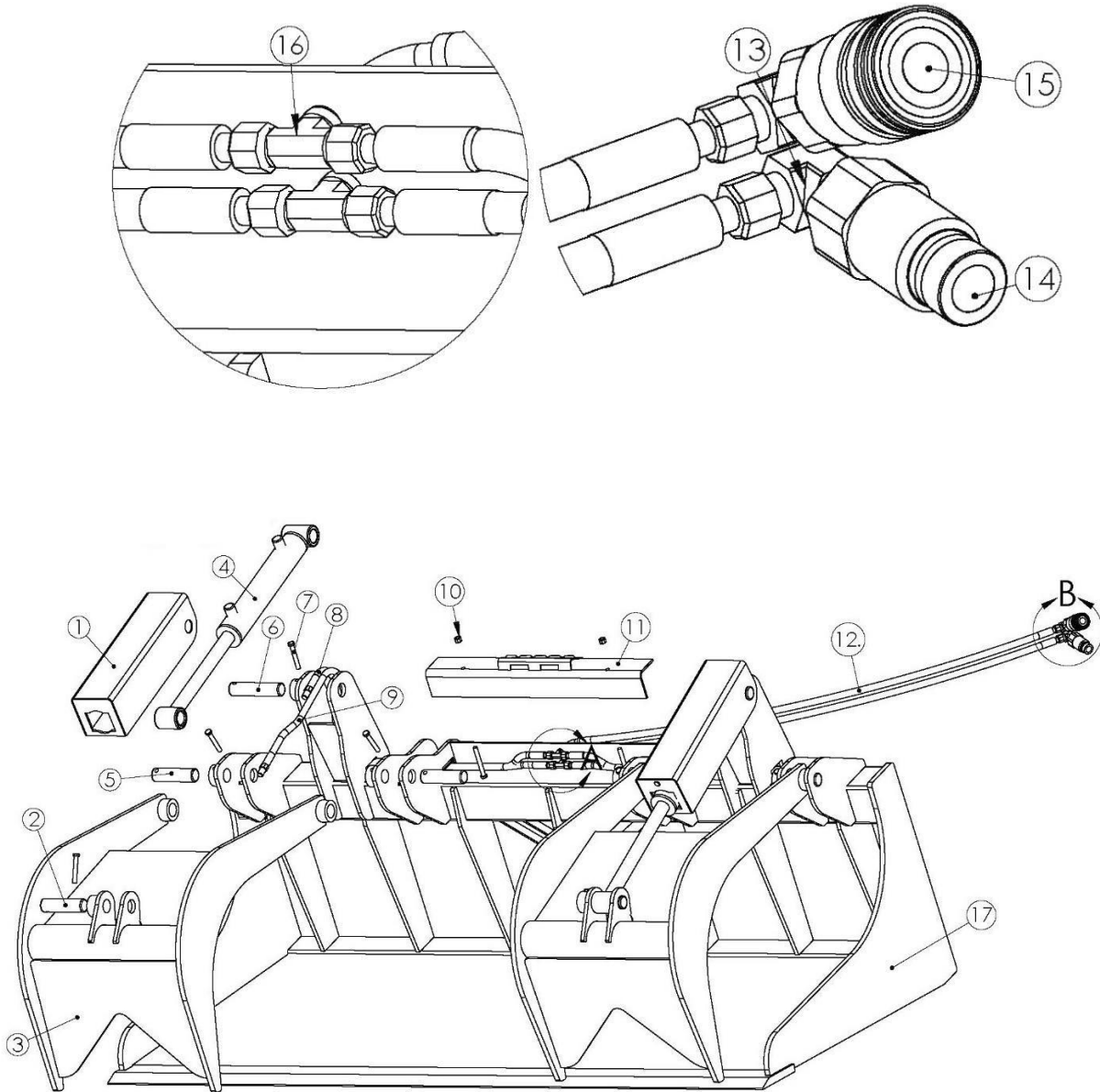


Grapple Bucket Assembly – Detailed Parts Diagram A



Grapple Bucket Assembly - Parts List A

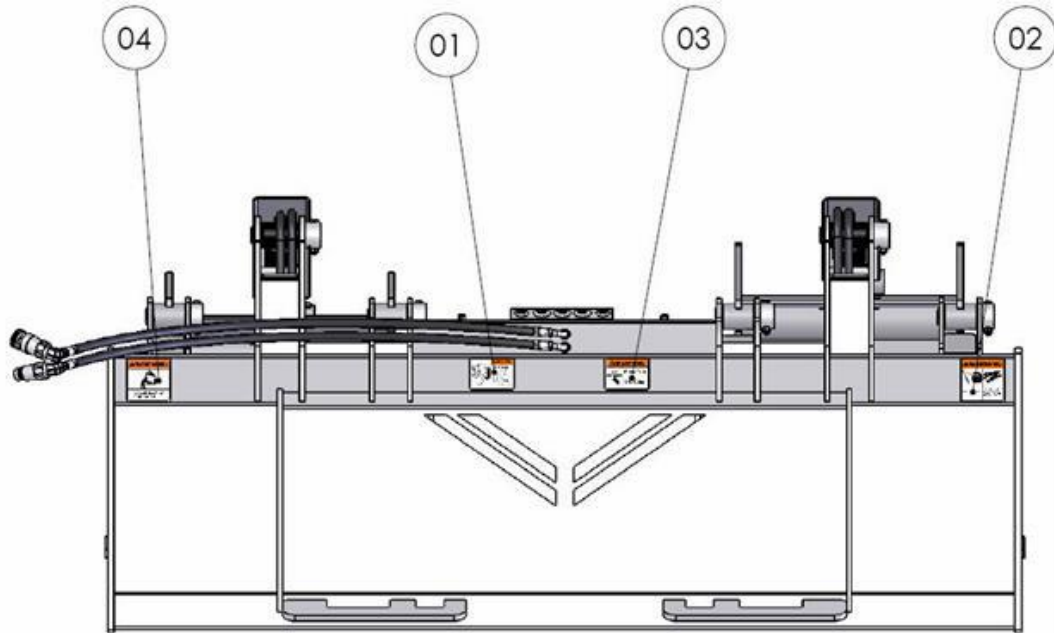
ITEM #	PART NUMBER	DESCRIPTION	Qty.
1	23-0100	Cover for Hydraulic cylinder 4-1/4"W x 4-1/2"H x 16"L	2
2	23-0101	Pin 1-1/4" Dia. X 5-1/4" Long W/ 3/8" Hole	6
3	23-0102	GB Tine Assembly	2
4	LF2010-125	Hydraulic Cylinder- 2" x 10" x 1-1/4" Rod	2
5	23-0101	GB 5-1/4" Pin 1-1/4" Dia. X 5-1/4" Long W/ 3/8" Hole	4
6	23-0103	GB 6" Pin 1-1/4" Dia. X 6" Long W/ 3/8" Hole	2
7		3/8 HHCS Bolt- 3/8" -- 16 x 2 1/2"	8
8	23-0104	GB Short Cylinder Hose (60" & 66") #6 JIC Female, 1/4" NPT Male - OAL 30-1/4"	2
8	23-0105	GB Short Cylinder Hose (72, 78 & 84") #6 JIC Female, 1/4" NPT Male OAL 36-1/4"	2
9	23-0106	GB Long Cylinder Hose (60" & 66") #6 JIC Female, 1/4" NPT Male - OAL 39-3/4"	2
9	23-0107	GB Long Cylinder Hose (72", 78" & 84") #6 JIC Female, 1/4" NPT Male - OAL 45-5/8"	2
10		3/8" Stover Lock Nut 3/8"-- 16	10
11	23-0108	GB Hose Cover (60" & 66") Hose Cover W/Step - OAL 12"	1
	23-0109	GB Hose Cover (72", 78" & 84") W/Step - OAL 23-3/4"	1
12	23-0110	GB Machine Hose (60, 66, 72, 78, & 84") #6 JIC Female, # 6 JIC 90' Elbow - OAL 75"	2
13	6-8-CTX-S	90 ° Elbow (60, 66, 72, 78, & 84") #6 JIC Male, 1/2 NPT Female 90' Elbow	2
14	FEM 502-8FP	Flat Face Male Quick Coupler – 1/2" Female NPT	1
15	FEM 501-8FP	Flat Face Female Quick Coupler - 1/2" Female NPT	1
16	6 WJ TX-S	Bulkhead Branch Tee #6 JIC W/Nut - 3/8" Male JIC	2
17	23-0111	60" GB Main Frame	1
17	23-0112	66" GB Main Frame	1
17	23-0113	72" GB Main Frame	1
17	23-0114	78" GB Main Frame	1
17	23-0115	84" GB Main Frame	1

Grapple Bucket Specifications

Hydraulic Cylinders			Bucket Tines			Grapple Tines		
Bore	Stroke	Pins	Spacing	Thickness	Material	Opening Height	Opening Depth	Material
2"	10"	1.25"	8.5"-9	0.5" x 4"	0.5" 60,000 psi min	51"	34.5"	0.5" 60,000 psi min.

Weight				
60" Wide	66" Wide	72" Wide	78" Wide	84" Wide
793 lbs.	847 lbs.	890 lbs.	932 lbs.	972 lbs.

Warning Decal Placement



Warning Decals - Parts List

#	Part No.	Part Name	Description	Qty.
01	LF-01	GB Warning Decal	Warning - Before Operating Read Manual	1
02	LF-02	GB Warning Decal	Warning - Wear Eye Protection; Relieve Hydraulic Pressure	1
03	LF-03	GB Warning Decal	Warning - Pinch Point Stay Clear	1
04	LF-04	GB Warning Decal	Warning - Crush Hazard Stay Clear	1

Warning Decal 01	Warning Decal 02	Warning Decal 03	Warning Decal 04
<p>WARNING Before operating attachment, read and understand attachment operators manual and all safety signs. LF-01</p>	<p>WARNING Wear eye protection. Do not use hands to find hydraulic leaks. Relieve pressure before disconnecting lines. LF-02</p>	<p>WARNING Pinch Point Stay Clear LF-03</p>	<p>WARNING CRUSH HAZARD STAY CLEAR LF-04</p>