

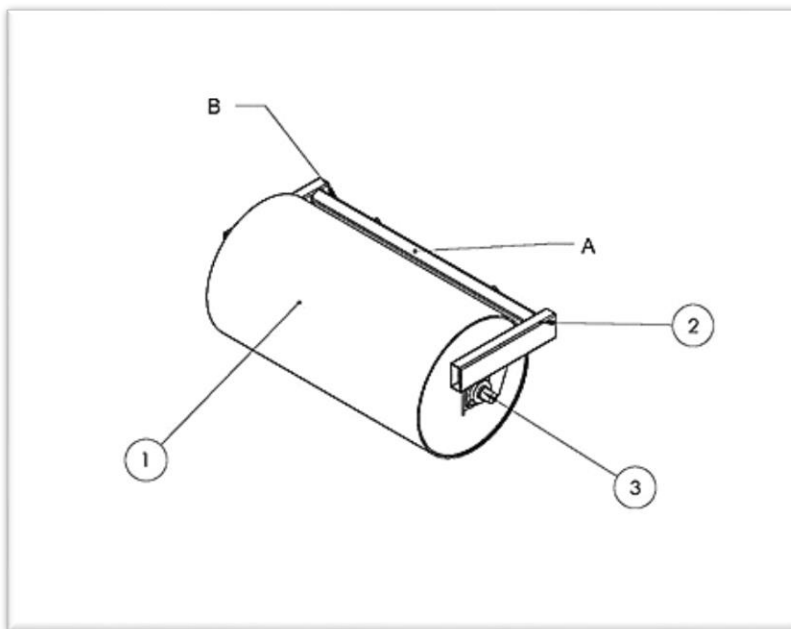
DRUM ROLLER PARTS

Introduction

All parts are illustrated in "exploded views" which show the individual parts in the normal relationship to each other. Reference numbers are used in the illustrations. These numbers correspond to those in the "Item No." column, and are followed by the description and quantity required.

The manufacturer reserves the right to change, modify, or eliminate from time to time, for technical or other reasons, certain or all data, specifications, or the product or products themselves, without any liability or obligation.

Drum Roller Assembly - Diagram A



Drum Roller Assembly - Parts List A

ITEM NO.	PART NUMBER	DESCRIPTION	QTY.
1	700-2-0001	Roller Tube	1
2	700-2-0002	Frame	1
3	AU-03-8677	3" flange Bearing	2
A	Decals-3-0005	Skid Pro Logo	1
B	Decals-3-0024	Serial Number	1