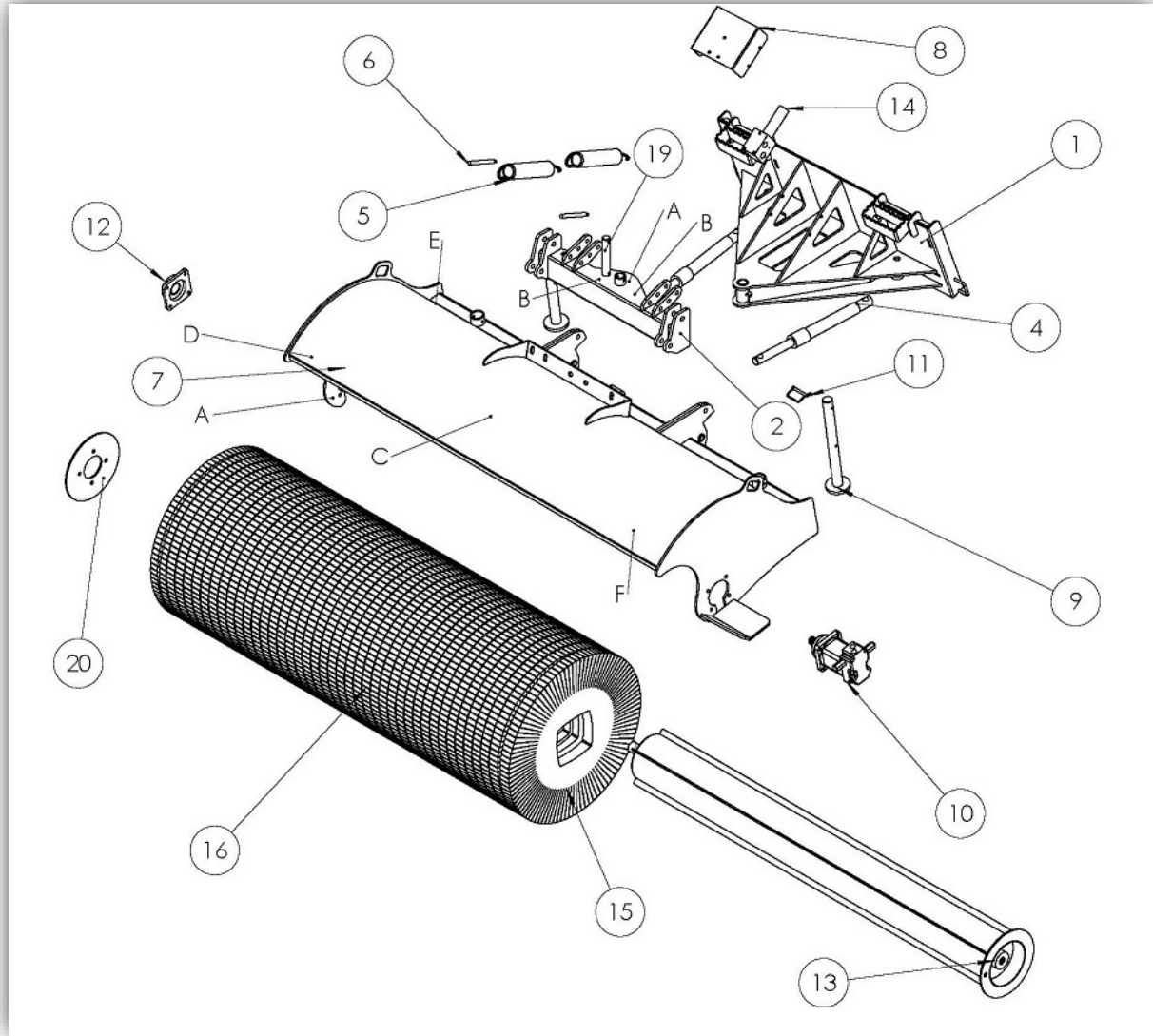


Angle Broom Assembly – Detailed Parts Diagram A



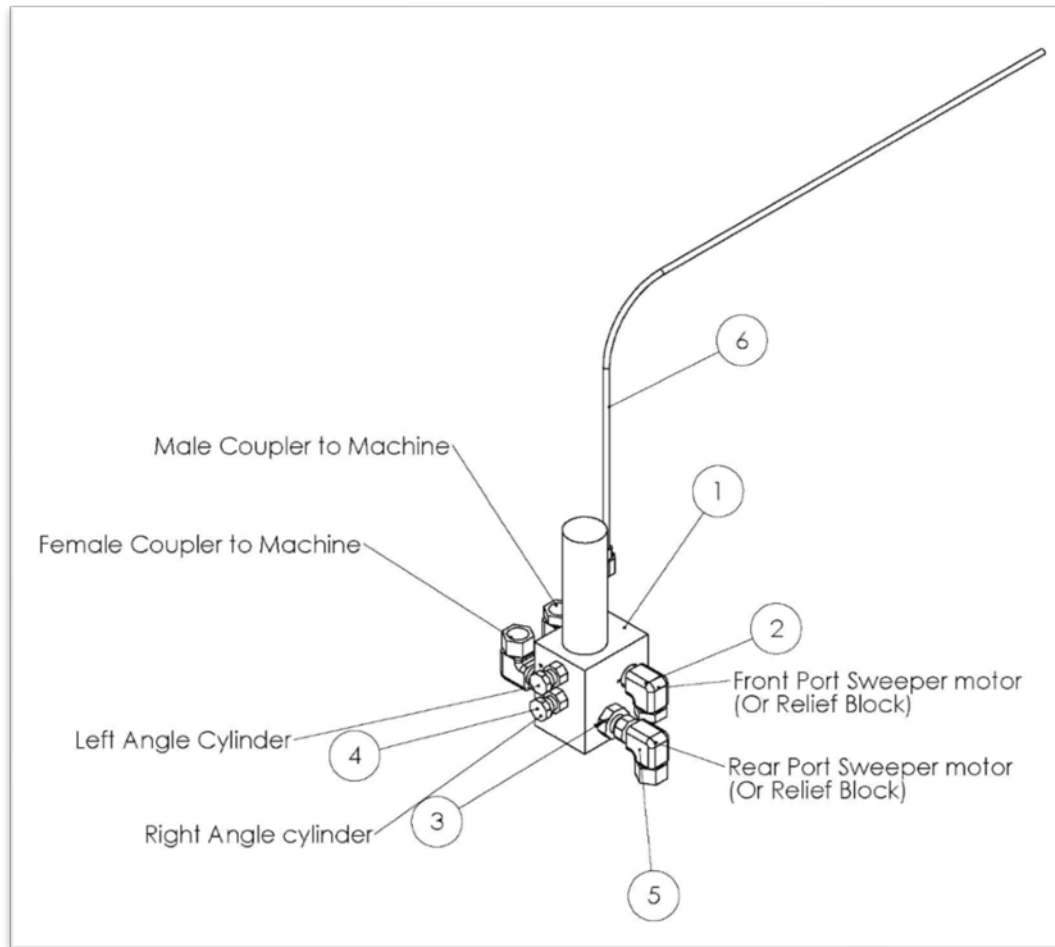
Angle Broom Assembly – Parts List A

ITEM NO.	PART NUMBER	DESCRIPTION	QTY.
1	670-2-0003	QT Assembly	1
2	670-2-0002	Blade Pivot Assembly	1
4	670-2-0004	Angle Cylinder (Optional)	2
5	AU-03-1607	Trip Spring	2
6	670-3-0039	Spring Bolt	2
7	AU-02-20010-72	Main Body 72"	1
7	AU-02-20010-84	Main Body 84"	1
7	AU-02-20010-96	Main Body 96"	1
8	AU-03-20071	Block Mounting Plate (Optional)	1
9	AU-02-20013	Lift I Leg	2
10	See Hydraulics Break down	Motor	1
11	AU-03-20056	Locking Pin	2
12	AU-03-1625-1.750	Flange Bearing	1
13	AU-02-20001-72	Bristle Tube for 72"	1
13	AU-02-20001-84	Bristle Tube for 84"	1
13	AU-02-20001-96	Bristle Tube for 96"	1
14	AU-02-20052	Valve Block (Optional)	1
15	AU-03-20055	Poly Wafer	2
16	AU-03-20054	Conv Poly Wafer 84"	40
17	AU-03-20054	Conv Poly Wafer 72"	34
18	AU-03-20054	Conv Poly Wafer 96"	50
19	670-3-0041	Pivot pin	1
20	AU-03-20040	Brush Bolt Cap	1
21	AU-02-20022	Manual Adjust Arm (not Shown) (Optional)	1

Angle Broom Warning Decals – Parts List A

Decal	Part Number	Description	Qty.
A	Decals-3-0019	Grease Daily	2
B	Decals-3-0015	Danger Keep Hands Clear	2
C	Decals-3-0005	Skid Pro Logo	1
D	Decals-3-0006	Danger Stay Back	1
E	Decals-3-0092	Serial Number	1
F	Decals-3-0028	Danger Rotating Equipment	1

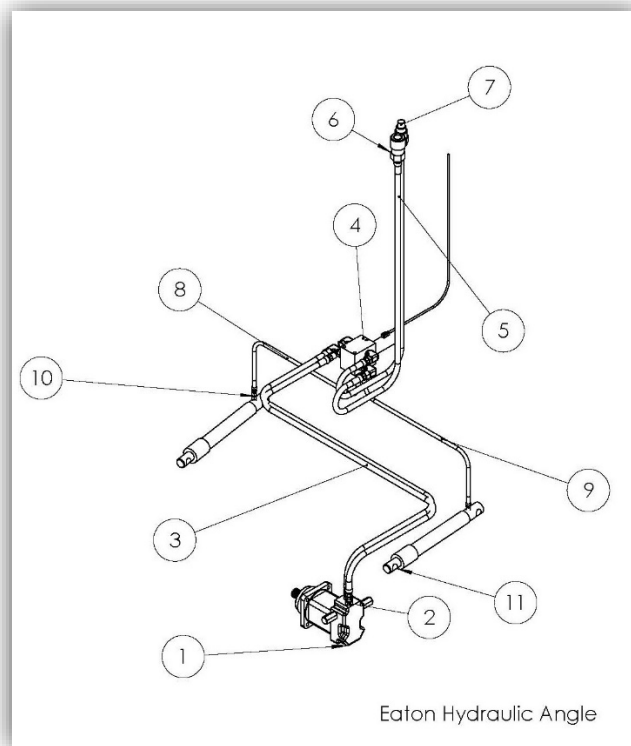
Angle Broom Valve Block Assembly – Detailed Parts Diagram B



Angle Broom Valve Block Assembly – Detailed Parts List B

ITEM NO.	PART NUMBER	DESCRIPTION	QTY.
1	AU-02-20052	Valve Block	1
2	H500-FT1208	90° Fitting	2
3	H500-FT1612	Fitting	2
4	H250-FT1108	8MOR-4FPX STR	2
5	H500-FT14-500	90° Fitting	2
6	AU-02-20053	Wire Harness	1

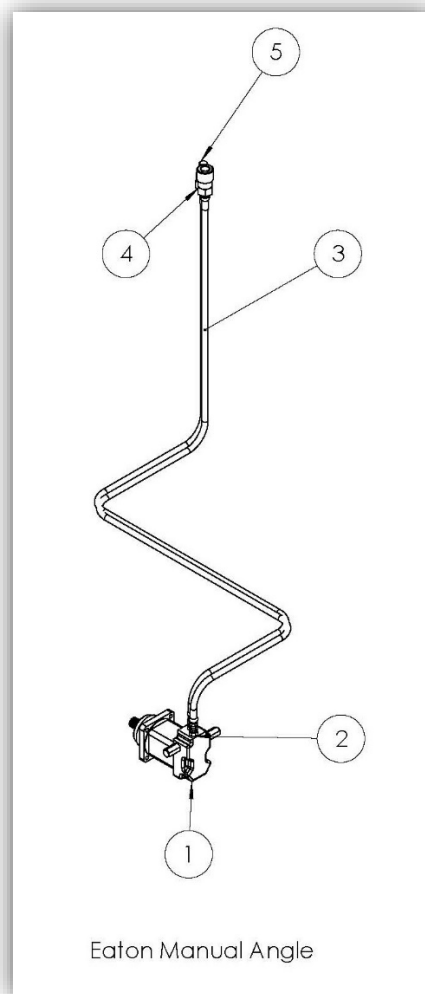
Angle Broom Eaton Hydraulic Angle Assembly – Detailed Parts Diagram C



Angle Broom Eaton Hydraulic Angle Assembly – Detailed Parts List C

ITEM NO.	PART NUMBER	DESCRIPTION	QTY.
1	AU-03-20038E	Motor Eaton	1
2	H500-FT11	Fitting	2
3	AU-02-20025-72	Motor Hose for 72"	2
3	AU-02-20025-84	Motor Hose for 84"	2
3	AU-02-20025-96	Motor Hose for 96"	2
4	Sweeper Valve Block Gen 2	Valve Block Assembly	1
5	AU-02-20026	Machine Hoses	2
6	612-3-0070	Female Quick Coupler	1
7	612-3-0071	Male Quick Coupler	1
8	AU-02-20027	Right Side Angle Hose	1
9	AU-02-20028	Left Side Angle Hose	1
10	H250-FT1004	Inline restrictor	1
11	670-2-0004	Angle Cylinder	2

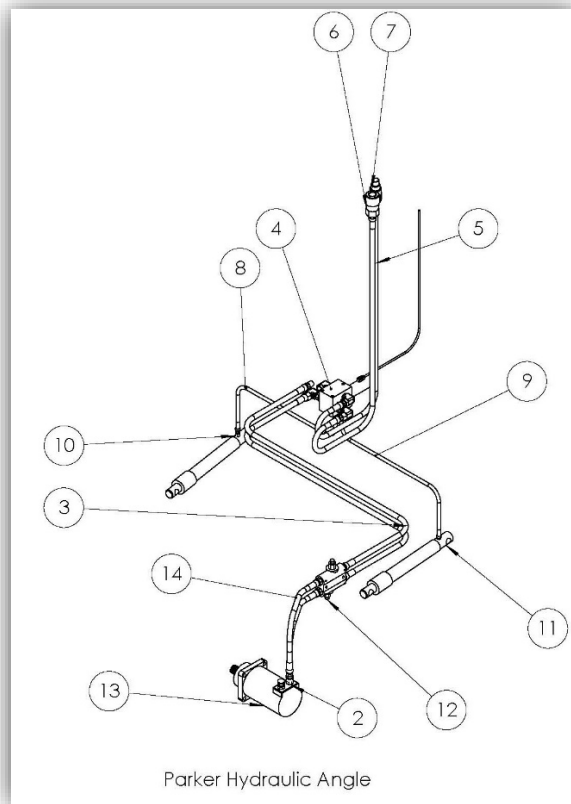
Angle Broom Eaton Manual Angle Assembly – Detailed Parts Diagram D



Angle Broom Eaton Manual Angle Assembly – Detailed Parts List D

ITEM NO.	PART NUMBER	DESCRIPTION	QTY.
1	AU-03-20038E	Motor Eaton	1
2	H500-FT11	Fitting	2
3	AU-02-20029-72	Motor Hose for 72"	2
3	AU-02-20029-84	Motor Hose for 84"	2
3	AU-02-20029-96	Motor Hose for 96"	2
4	612-3-0070	Female Quick Coupler	1
5	612-3-0071	Male Quick Coupler	1

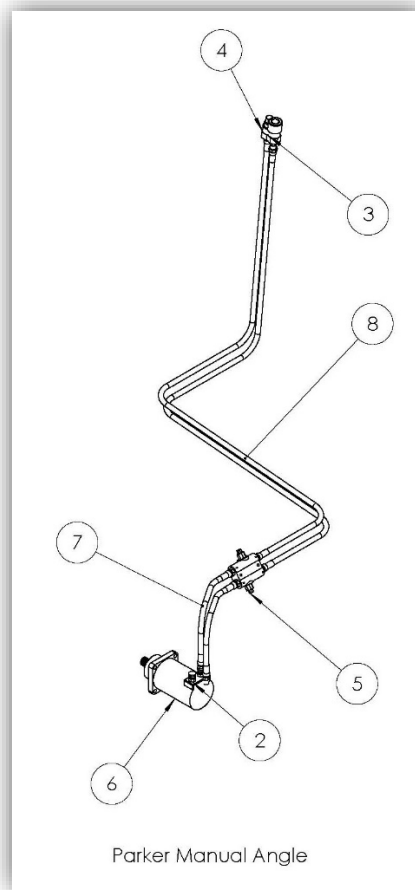
Angle Broom Parker Hydraulic Angle Assembly – Detailed Parts Diagram E



Angle Broom Parker Hydraulic Angle Assembly – Detailed Parts List E

ITEM NO.	PART NUMBER	DESCRIPTION	QTY.
2	H500-FT11	Fitting	2
3	AU-02-20030-72	Motor Hose for 72"	2
3	AU-02-20030-84	Motor Hose for 84"	2
3	AU-02-20030-96	Motor Hose for 96"	2
4	Sweeper Valve Block Gen 2	Valve Block Assembly	1
5	AU-02-20026	Machine Hoses	2
6	612-3-0070	Female Quick Coupler	1
7	612-3-0071	Male Quick Coupler	1
8	AU-02-20027	Right Side Angle Hose	1
9	AU-02-20028	Left Side Angle Hose	1
10	H250-FT1004	Inline restrictor	1
11	670-2-0004	Angle Cylinder	2
12	AU-03-37044	Double Relief Valve	1
13	AU-03-20038P	Motor Parker	1
14	AU-02-20031	Relief to Motor Hose	2

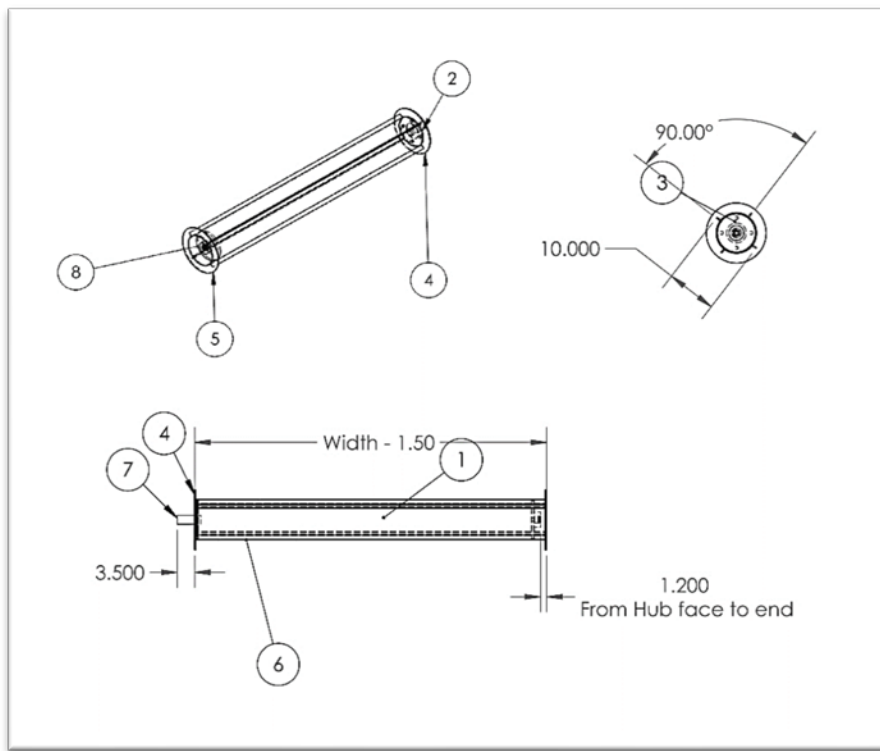
Angle Broom Parker Manual Angle Assembly – Detailed Parts Diagram F



Angle Broom Parker Manual Angle Assembly – Detailed Parts List F

ITEM NO.	PART NUMBER	DESCRIPTION	QTY.
1	See Hydraulics Break down	Motor Parker	1
2	H500-FT11	Fitting	2
3	612-3-0070	Female Quick Coupler	1
4	612-3-0071	Male Quick Coupler	1
5	AU-03-37044	Double Relief Valve	1
6	AU-03-20038P	Motor Parker	1
7	AU-02-20031	Relief to Motor Hose	2
8	AU-02-20029-72"	Motor Hose for 72"	2
8	AU-02-20029-84"	Motor Hose for 84"	2
8	AU-02-20029-96"	Motor Hose for 96"	2

Angle Broom Bristle Tube Assembly – Detailed Parts Diagram G

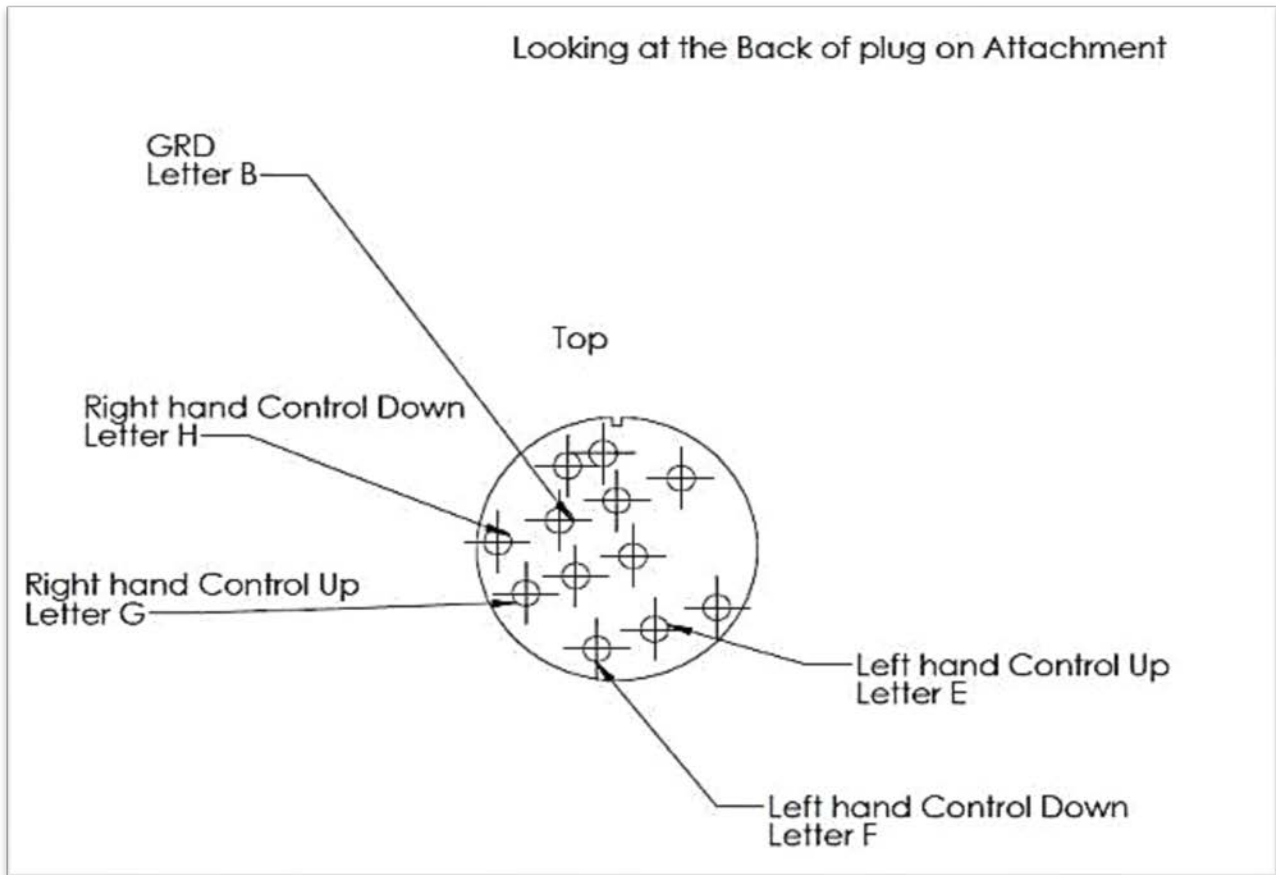


Angle Broom Bristle Tube Assembly – Detailed Parts List G

Item No.	Part Number	Description	Qty.
1	AU-02-20003-72	72" Tube	1
1	AU-02-20003-84	84" Tube	1
1	AU-02-20003-96	96" Tube	1
2	AU-03-20017	Shaft Plate	1
3	AU-03-20018	Hub Plate	1
4	AU-03-20040	Brush Bolt Cap	1
5	AU-03-20039	Brush End Plate	1
6	AU-03-20041-72	72" Strap	4
6	AU-03-20041-84	84" Strap	4
6	AU-03-20041-96	96" Strap	4
7	AU-03-20042	End Shaft	1
8	AU-03-1677	14 Spline Hub	1

SKID STEER PLUG WIRING PINS

Diagram for Bobcat Machines



Wiring Guide

ASV 8 Pin

Black Wire- Letter A
White Wire- Letter B
Green Wire- Letter G

Case 14 Pin

Black Wire- Letter B
White Wire- Letter C
Green Wire- Letter D

Cat 14 Pin

Black Wire- Letter B
White Wire- Letter C
Green Wire- Letter D

JCB 8 Pin

Black Wire- Letter C
White Wire- Letter D
Green Wire- Letter E

John Deere 14 Pin

Black Wire- Letter A
White Wire- Letter G
Green Wire- Letter C

Kubota 14 Pin

Black Wire- Letter B
White Wire- Letter G
Green Wire- Letter H

New Holland 14 Pin

Black Wire- Letter B
White Wire- Letter G
Green Wire- Letter H

Bobcat & Gehl 14 Pin

Black Wire- Letter B
White Wire- Letter G
Green Wire- Letter H

Cat 8 Pin

Black Wire- Letter A
White Wire- Letter B
Green Wire- Letter H

GEHL 14 PIN

Black Wire- Letter B
White Wire- Letter C
Green Wire- Letter D

JCB 14 Pin

Black Wire- Letter B
White Wire- Letter D
Green Wire- Letter C

Komatsu 8 Pin

Black Wire- Letter A
White Wire- Letter C
Green Wire- Letter D

Mustang 14 Pin

Black Wire- Letter B
White Wire- Letter C
Green Wire- Letter D

Volvo 14 pin

Black Wire- Letter B
White Wire- Letter C
Green Wire- Letter D