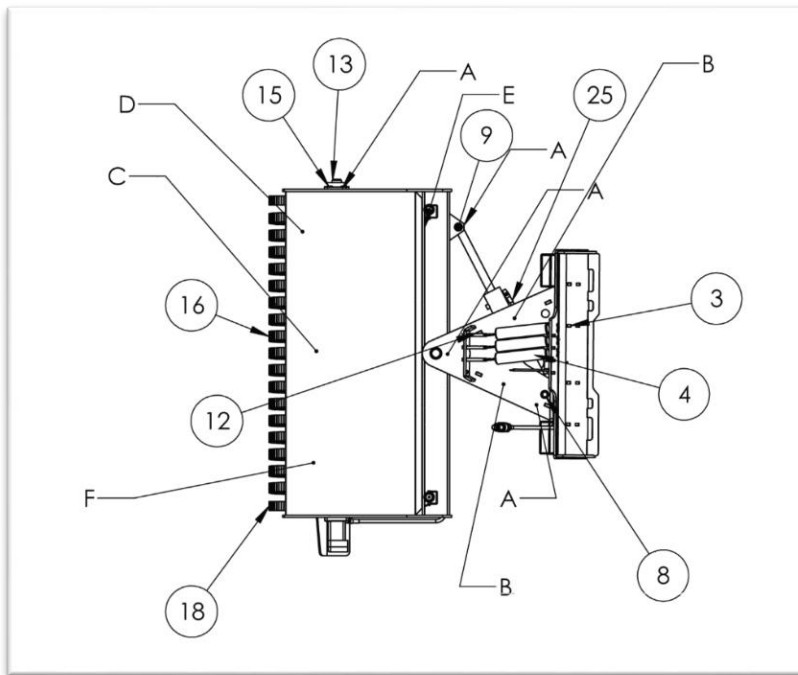
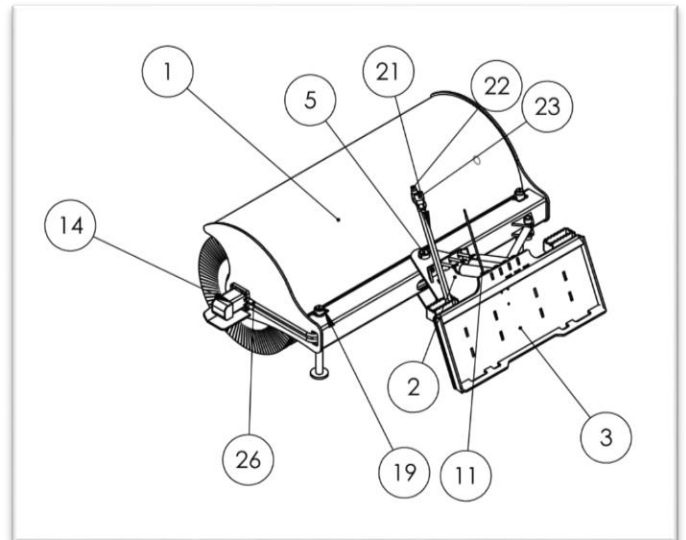
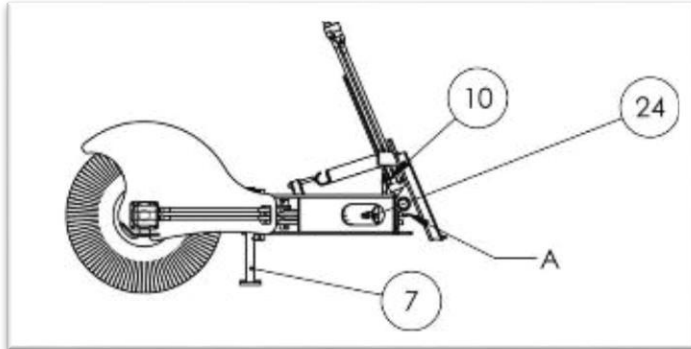


### Angle Broom Assembly – Detailed Parts Diagram A



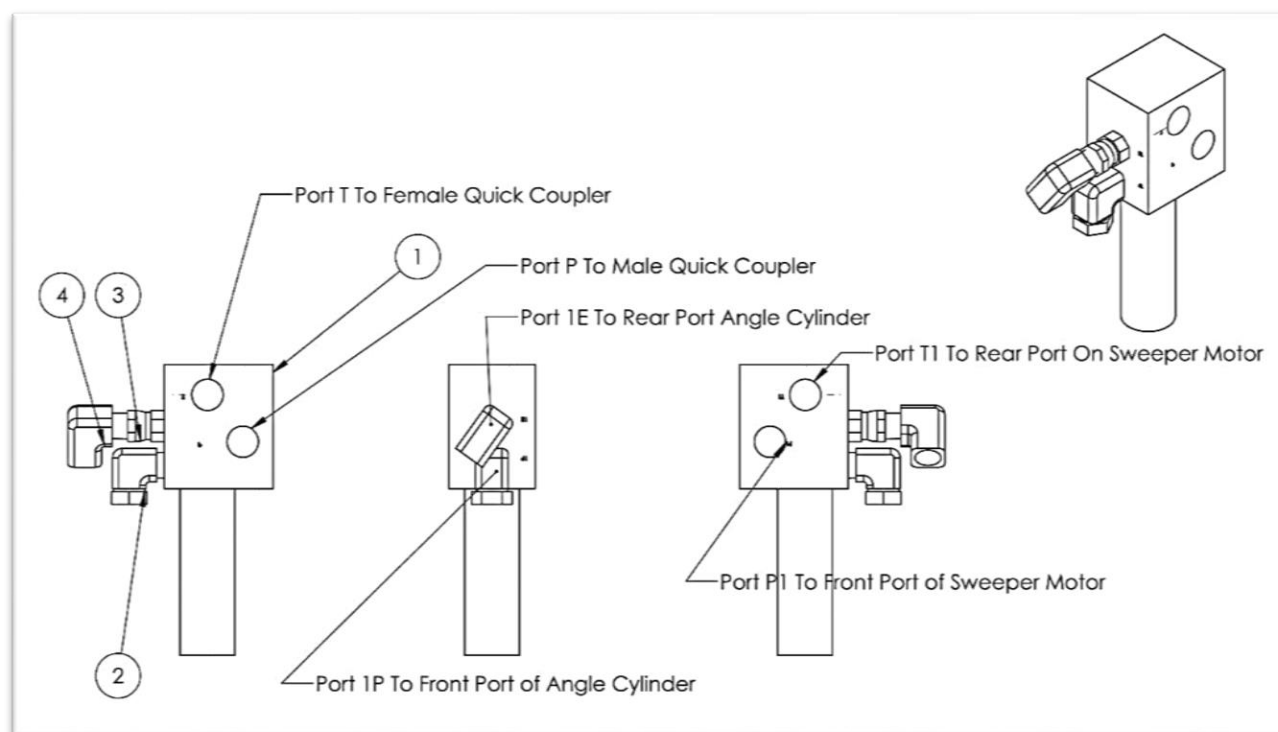
## Angle Broom Assembly – Parts List A

ITEM NO.	PART NUMBER	DESCRIPTION	QTY.
1	680-1-0001-72	72" Main Body	1
1	680-1-0001-84	84" Main Body	1
1	680-1-0001-96	96" Main Body	1
2	AU-02-20011	A Frame Assembly	1
3	AU-02-20012	QT Assembly	1
4	612-2-0050	Cylinder	1
5	AU-03-20044	Pin	1
6	AU-03-20045	Pin	2
7	AU-02-20013	Lift I Leg	2
8	AU-03-20049	Pin	1
9	AU-03-20050	Pin	1
10	AU-02-20052	Valve Block	1 -Optional
11	AU-03-1607	Trip Spring	3
12	670-3-0039	Spring Bolt	3
13	AU-02-20001-72	72" Bristle Tube	1
13	AU-02-20001-84	84" Bristle Tube	1
13	AU-02-20001-96	96" Bristle Tube	1
14	AU-03-20038	Motor	1
15	AU-03-1625-1.750	Flange Bearing	1
16	680-02-0003-72	Conv Poly Wafer Pack (34 Pieces + 2 End Bristles)	1 -Optional
16	680-02-0003-84	Conv Poly Wafer Pack (40 Pieces + 2 End Bristles)	1 -Optional
16	680-02-0003-96	Conv Poly Wafer Pack (50 Pieces + 2 End Bristles)	1 -Optional
17	680-02-0003-72PS	Conv Poly/Steel Wafer Pack (34 Pieces + 2 End Bristles)	1 -Optional
17	680-02-0003-84PS	Conv Poly/Steel Wafer Pack (40 Pieces + 2 End Bristles)	1 -Optional
17	680-02-0003-96PS	Conv Poly/Steel Wafer Pack (50 Pieces + 2 End Bristles)	1 -Optional
18	AU-03-20055	Poly Wafer	2
19	AU-03-20056	Locking Pin	2
20	AU-03-1500	Universal Wire Harness & Toggle	1 -Optional
21	AU-02-20016	Hose	2 -Optional
22	612-3-0071	Male Quick Coupler	1
23	612-3-0070	Female Quick Coupler	1
24	AU-02-20017	Hose	1 -Optional
25	AU-02-20018	Hose	1 -Optional
26	AU-02-20019-72	Hose for 72" Broom	2 -Optional
26	AU-02-20019-84	Hose for 84" Broom	2 -Optional
26	AU-02-20019-96	Hose for 96" Broom	2 -Optional
27	AU-02-20020	Hose Manual Angle	2

### Angle Broom Warning Decals – Parts List A

Decal	Part Number	Description	Qty.
A	Decals-3-0019	Grease Daily	6
B	Decals-3-0015	Danger Keep Hands Clear	2
C	Decals-3-0005	Skid Pro Logo	1
D	Decals-3-0006	Danger Stay Back	1
E	Decals-3-0092	Serial Number	1
F	Decals-3-0028	Danger Rotating Equipment	1

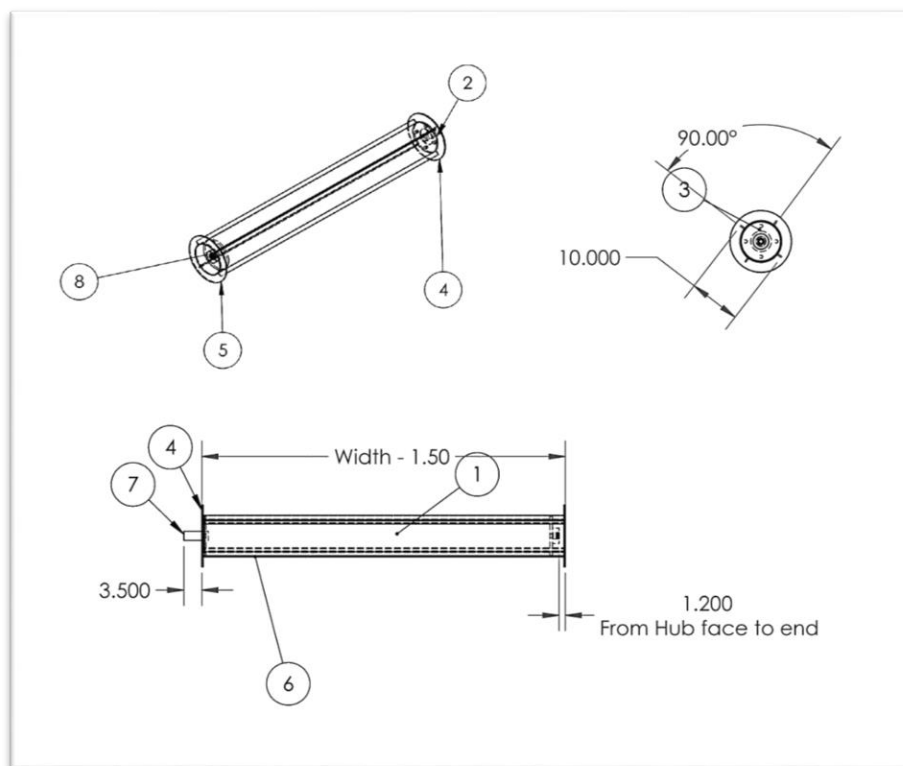
### Angle Broom Valve Block Assembly – Detailed Parts Diagram B



### Angle Broom Valve Block Assembly – Detailed Parts List B

ITEM NO.	PART NUMBER	DESCRIPTION	QTY.
1	AU-02-20052	Valve Block	1
2	H500-FT1208	90 Degree Fitting	1
3	H500-FT11-08-8	Fitting	1
4	H500-FT05	90 Degree Fitting	1

### Angle Broom Bristle Tube Assembly – Detailed Parts Diagram C

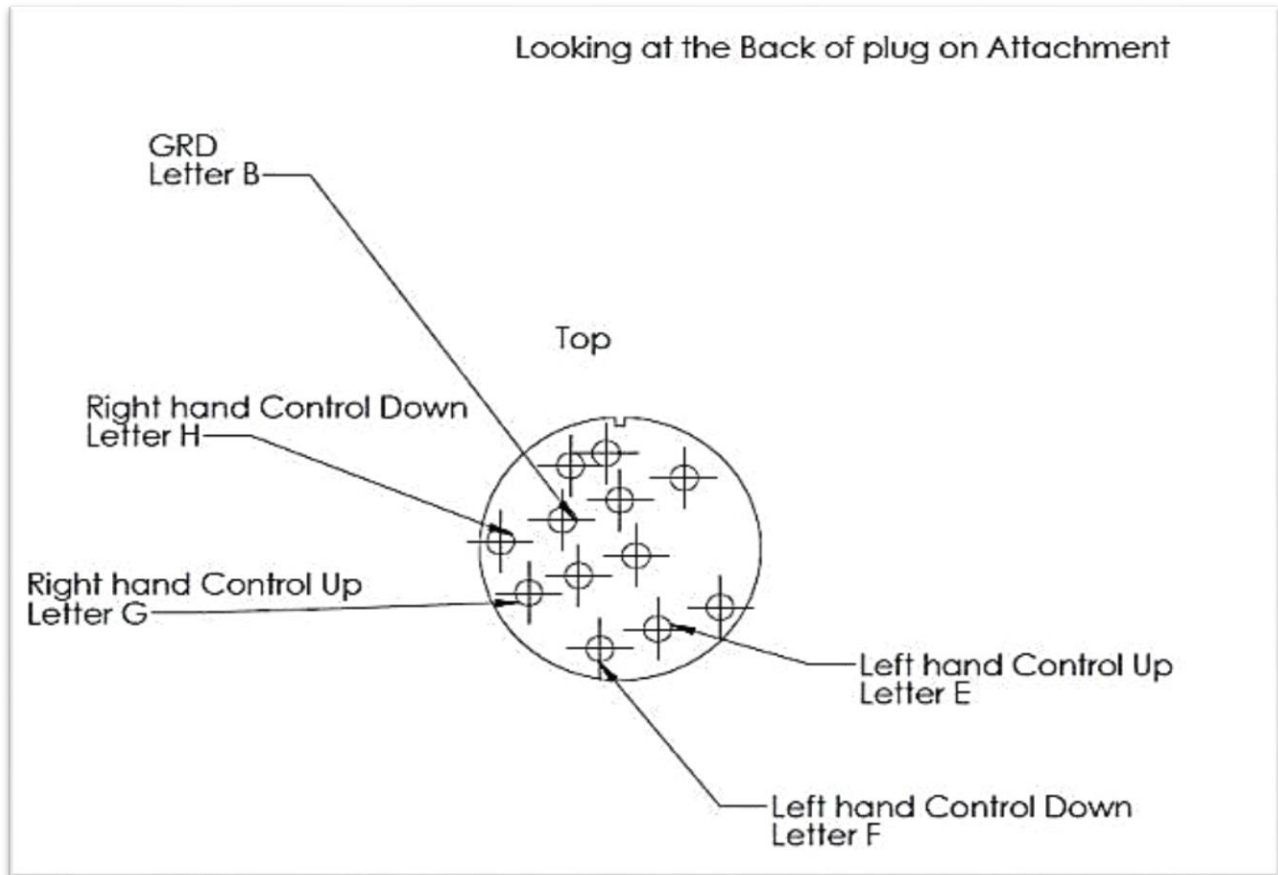


### Angle Broom Bristle Tube Assembly – Detailed Parts List C

Item No.	Part Number	Description	Qty.
1	AU-02-20003-72	72" Tube	1
1	AU-02-20003-84	84" Tube	1
1	AU-02-20003-96	96" Tube	1
2	AU-03-20017	Shaft Plate	1
3	AU-03-20018	Hub Plate	1
4	AU-03-20040	Brush Bolt Cap	1
5	AU-03-20039	Brush End Plate	1
6	AU-03-20041-72	72" Strap	4
6	AU-03-20041-84	84" Strap	4
6	AU-03-20041-96	96" Strap	4
7	AU-03-20042	End Shaft	1
8	AU-03-1677	14 Spline Hub	1

# SKID STEER PLUG WIRING PINS

## Diagram for Bobcat Machines



## Wiring Guide

### ASV 8 Pin

Black Wire- Letter A  
White Wire- Letter B  
Green Wire- Letter G

### Case 14 Pin

Black Wire- Letter B  
White Wire- Letter C  
Green Wire- Letter D

### Cat 14 Pin

Black Wire- Letter B  
White Wire- Letter C  
Green Wire- Letter D

### JCB 8 Pin

Black Wire- Letter C  
White Wire- Letter D  
Green Wire- Letter E

### John Deere 14 Pin

Black Wire- Letter A  
White Wire- Letter G  
Green Wire- Letter C

### Kubota 14 Pin

Black Wire- Letter B  
White Wire- Letter G  
Green Wire- Letter H

### New Holland 14 Pin

Black Wire- Letter B  
White Wire- Letter G  
Green Wire- Letter H

### Bobcat & Gehl 14 Pin

Black Wire- Letter B  
White Wire- Letter G  
Green Wire- Letter H

### Cat 8 Pin

Black Wire- Letter A  
White Wire- Letter B  
Green Wire- Letter H

### GEHL 14 PIN

Black Wire- Letter B  
White Wire- Letter C  
Green Wire- Letter D

### JCB 14 Pin

Black Wire- Letter B  
White Wire- Letter D  
Green Wire- Letter C

### Komatsu 8 Pin

Black Wire- Letter A  
White Wire- Letter C  
Green Wire- Letter D

### Mustang 14 Pin

Black Wire- Letter B  
White Wire- Letter C  
Green Wire- Letter D

### Volvo 14 pin

Black Wire- Letter B  
White Wire- Letter C  
Green Wire- Letter D

## Wire Hook Up to Quick Disconnect

Black = - 12 Volt Ground

White = + 12 Volt

Green = + 12 Volt

## Switch Kit

1. Place hand control in cab with enough extra cable so you can move around for use.
2. Run white and black wires back to battery so the white and black wires will reach the battery.
3. Now run the remaining wires to the front of the machine following the loader arms.
4. Cut wire to length and hook up to female quick disconnect.
5. Mount female quick disconnect near auxiliary hydraulic lines, use mounting plate included in box.
6. Connect wires from attachment to male end of quick disconnect.
7. Make sure the color wires from the female side match up with the color wires from the male side.
8. Connect black and white wires to battery, (black is negative, white is positive).
9. You are now ready to test the functions of the blower, to do so **auxiliary hydraulics must be on and running**.

# TORQUE SPECIFICATION TABLE

## General Specification Table

Use the following torques when special torques are not given. Note: These values apply to fasteners as received from supplier, when dry. **These values do not apply if lubricants are used.**

BOLT SIZES (SAE)	TORQUE	
INCHES	POUNDS-FOOT (NC Threads) Grade 5 / Grade 8	POUNDS-FOOT (NF Threads) Grade 5 / Grade 8
1/4	7/11	9/13
5/16	15/22	17/24
3/8	30/40	35/45
7/16	45/65	50/70
1/2	70/95	75/110
9/16	100/140	110/155
5/8	135/190	155/215
3/4	240/340	270/380
7/8	360/550	390/610
1	530/820	590/890
1 1/8	800/1440	880/1500
1 1/4	1240/2000	1364/2200
1 3/8	1680/2720	1848/2800
1 1/2	2200/3500	2420/3600

BOLT SIZES (METRIC)	TORQUE	
MILLIMETERS	POUNDS-FOOT	NEWTONS-METER
M6	10	13
M8	22	30
M10	40	54
M12	59	80
M14	93	126
M16	130	176
M18	168	228
M20	205	278